

Application

AC-10R control dampers employ a single round center-V blade and are supplied standard with a manual locking quadrant for manual air control and balancing in low pressure and velocity applications.

Standard Construction

Frame: 6" x 22 ga. (152 x 0.85) galvanized steel.

Blades: 22 ga. (0.85) galvanized steel — single round center-V.

Axles: 3/8" (10) square plated steel.

Bearings: Synthetic

Control Shaft: 3/8" x 3" (10 x 76) square drive axle with manual locking quadrant factory installed.

Minimum Size: 4" Ø (102 Ø)

Maximum Size: 24" Ø (610 Ø)

Options

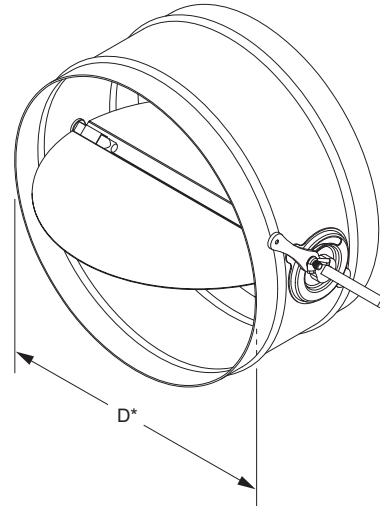
- Alternate blade (includes 20 ga. (1.0) frame):
 - 20 ga. (1.0) 16 ga. (1.6)
- Quadrant standoff bracket — for insulated duct:
 - Depth: 1" (25) 1 1/2" (38) 2" (51)
- Type-304 stainless steel construction.

Ratings

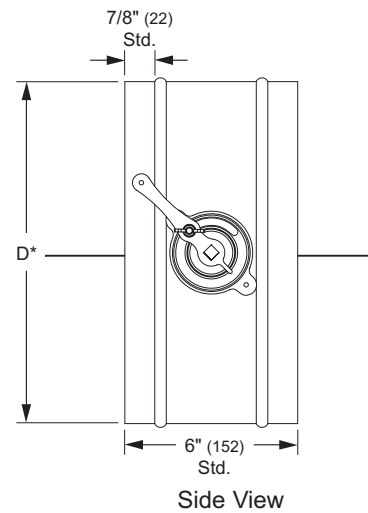
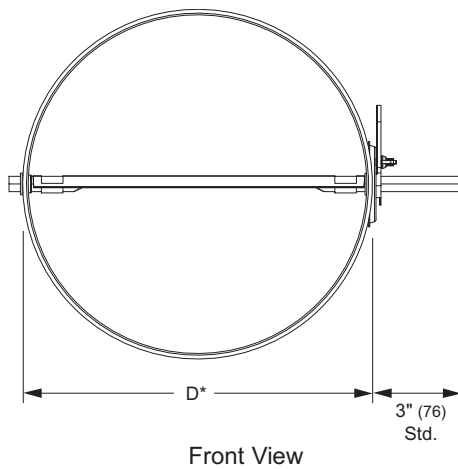
Maximum System Velocity: 1500 fpm (7.7 m/s)

Maximum System Pressure: 1 in. wg (0.25 kPa)

Temperature: -25°F to 180°F (-32°C to 83°C)



Model **CD-10R**
(standard)



*Damper dimensions furnished approximately 1/8" (3) undersize.