

## Application

The EAJ-637 extruded aluminum acoustical louver incorporates a J-blade and is designed for intake and exhaust applications where space is limited. The EAJ-637 is available in a wide array of finishes including custom color matching.

## Standard Construction

**Material:** Mill finish 6063-T5 extruded aluminum.

**Frame:** 6" deep × 0.081" thick (152 × 2) channel.

**Blades:** 37° × 0.081" (2) thick J-style with a 26 ga. (0.55) thick perforated backing packed with noncombustible insulating material.

**Screen:** 1/2" × 0.063" (12.7 × 1.6) expanded and flattened aluminum.

**Screen Frame:** Removable.

**Mullion:** Visible.

**Minimum Size:** 12" × 12" (305 × 305)

**Maximum Size:** Single section: 60" × 120" (1524 × 3048)  
Multiple section: Unlimited

## Options

- Factory finish:
  - High Performance Fluoropolymer - 100% resin Newlar®/ 70% resin Kynar®
  - Baked Enamel
  - Clear or Color Anodized, Class 1
  - Prime Coat
- 1 1/2" (38) flange frame.
- Welded construction.
- Alternate bird or insect screens.
- Alternate removable one-piece U-channel screen frame.
- Insulated or non-insulated blank-off panels.
- Filter racks.
- Hinged frame.
- Head and/or sill flashing.

## Ratings

**Free Area:** [48" × 48" (1219 × 1219) unit]: 5.2 ft<sup>2</sup> (0.48 m<sup>2</sup>)  
32.5%

### Performance @ Beginning Point of Water Penetration

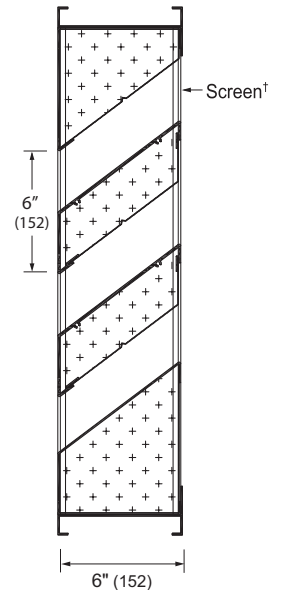
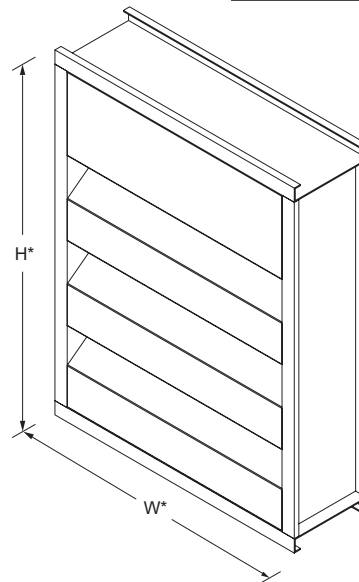
**Free Area Velocity:** 890 fpm (4.52 m/s)  
**Air Volume Delivered:** 4637 cfm (2.19 m<sup>3</sup>/s)  
**Pressure Loss:** 0.15 in.wg. (37 Pa)

**Velocity @ 0.15 in.wg. Pressure Loss:** 890 fpm (4.52 m/s)

**Design Load:** 30 psf

### Acoustical Performance:

Octave Band	2	3	4	5	6	7
Center Freq. (hz)	125	250	500	1000	2000	4000
Transmission Loss	2	2	4	8	9	7
Noise Reduction	10	10	12	22	20	19

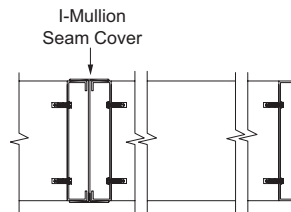


Model **EAJ-637**  
(standard)

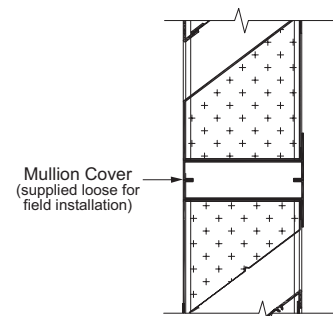
\*Louvers furnished approximately 1/2" (13) undersize.

**Vertical Section**

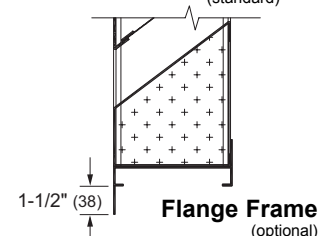
†Screen adds approximately 3/16" (5) to louver depth.



**Vertical Mullion**  
(standard)



**Horizontal Mullion**  
(standard)



**Flange Frame**  
(optional)

**NOTE:** Dimensions in parentheses ( ) are millimeters.