

Application

The EPJ-445 extruded aluminum penthouse is designed for intake and exhaust applications where protection against water infiltration is not critical. The EPJ-445 serves frequently as a gravity ventilator, fan discharge cap, fresh air intake cap, sight shield, or pressure relief ventilator.

Standard Construction

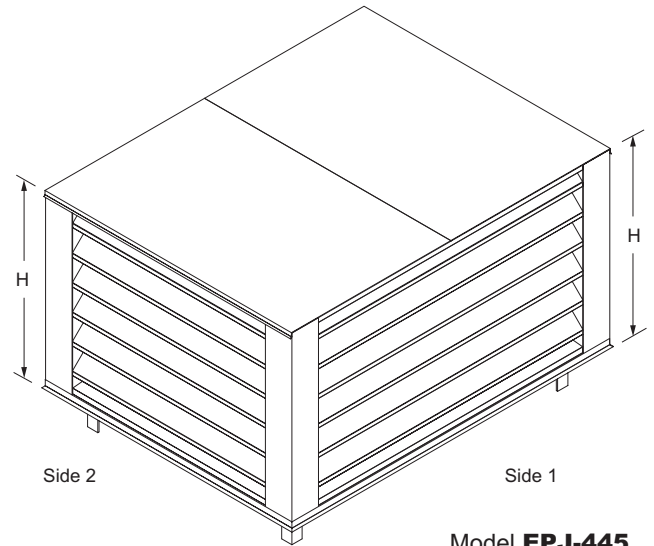
- Material:** Mill finish 6063-T5 extruded aluminum.
- Frame:** 4" deep × 0.081" thick (102 × 2) channel.
- Blades:** 45° × 0.081" (2) thick J- style.
- Corner:** Boxed.
- Roof:** 0.063" (1.6) thick formed aluminum with anti-condensate roof under coating.
- Screen:** 1/2" × 0.063" (12.7 × 1.6) expanded and flattened aluminum.
- Mullion:** Visible.
- Minimum Size:** 12" × 12" (305 × 305), 12" (305) high
- Maximum Size:** Factory assembled: 48" × 48" (1219 × 1219)
 *Field erected: 96" × 96" (2438 × 2438)
 *Maximum height: 48" (1219)

Options

- Factory finish:
 - High Performance Fluoropolymer - 100% resin Newlar®/ 70% resin Kynar®
 - Baked Enamel
 - Clear or Color Anodized, Class 1
 - Prime Coat
- Mitered corner. Welded construction.
- Alternate bird or insect screens.
- Insulated or non-insulated blank-off panels.
- Filter racks. Hinged section.
- Sill flashing. 1" (25) fiberglass roof insulation.

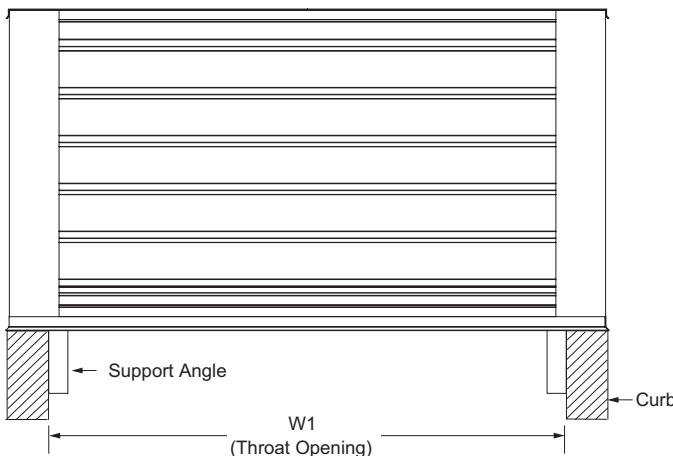
Ratings

- Louver Free Area (per side):**
 [48" × 48" (1222 × 1222) unit]: 8.0 ft² (0.75 m²)
 50.0%
- Louver Performance @ Beginning Point of Water Penetration**
 - Free Area Velocity:** 689 fpm (3.50 m/s)
 - Air Volume Delivered:** 5,549 cfm (2.62 m³/s)
 - Pressure Loss:** 0.08 in.wg. (20 Pa)
- Velocity @ 0.15 in.wg. Pressure Loss:** 910 fpm (4.62 m/s)
- Design Load:** 30 psf

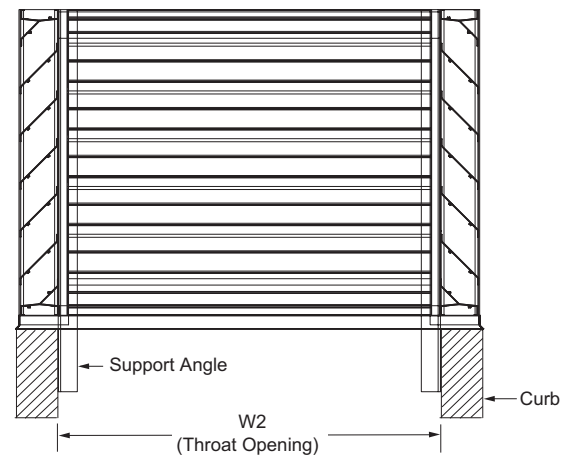


Mitered Corner
(optional)

Model EPJ-445
(standard)
 *Louvers furnished approximately 1/2" (13) undersize.



Side View



Section View

* **Recommended Sizing:** (For optimum performance W1 and W2 should be ≥ H × 2)

Information is subject to change without notice or obligation.

NOTE: Dimensions in parentheses () are millimeters.