



## Application

The FD-15R fire damper employs round butterfly blades for point-of-origin control of fire in static HVAC systems. The FD-15R may be installed in vertical walls or partitions, or horizontally in floors or assemblies with fire resistance ratings up to 2 hours.

## Standard Construction

- Frame:** 22 gauge (0.85) galvanized steel.
- Blade:** 22 gauge (0.85) galvanized steel — round butterfly.
- Fire Closure Device:** Fusible link.
- Fire Closure Temperature:** 165°F (75°C).
- Minimum Size:** 6" Ø (152 Ø)
- Maximum Size:** 20" Ø (508 Ø)

## Options

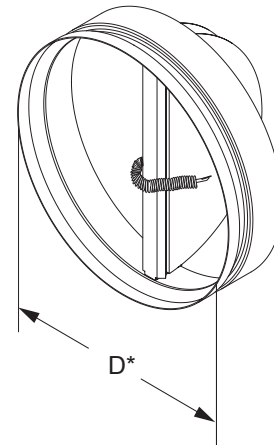
- Integral Sleeve
  - Gauge:  20 (1.0)  16 (1.6)
  - Length:  12" (305)  16" (406)  24" (610)  Other \_\_\_\_\_
- Retaining Angle Systems
  - Retaining plates for factory supplied sleeve.
  - 1-½" x 1-½" x 10 ga. (38 x 38 x 3.5) retaining angle rings (both sides).
- Alternate fire closure temperature:
  - 212°F (100°C)

## Ratings

**UL 555 Fire Resistance Rating:** 1½ hour (vertical and horizontal)

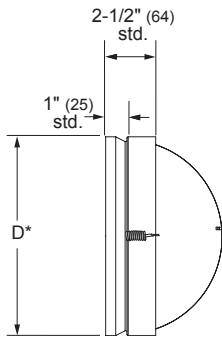
## Listings

- UL 555 listing:** R14981
- CSFM listing:** 3225-1404:110
- Meets NFPA Standards:** 90A, 92A, 92B and 101
- Meets Building Code Standards:** IBC, NBC, NFPA, SBC and UBC

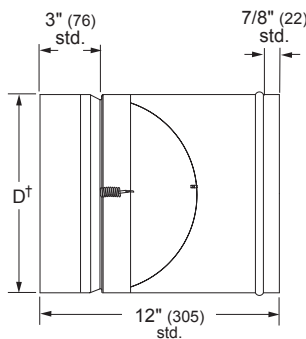


Model **FD-15R**  
(standard)

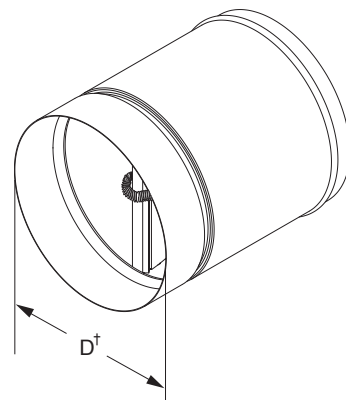
\*Damper dimensions furnished approximately 1/4" (6) undersize.



Side View (**FD-15R**)



Side View (Integral Sleeve)



Integral Sleeve (optional)

†Damper dimensions furnished approximately 1/8" (3) undersize.