

Application

The FD-2-B fire damper employs out of the air stream thinline curtain style blades for point-of-origin control of fire in static HVAC systems. The FD-2-B may be installed in vertical walls or partitions with fire resistance ratings up to 2 hours.

Standard Construction

- Frame:** 22 gauge (0.85) galvanized steel.
- Blades:** 24 gauge (0.7) galvanized steel – curtain style.
- Fire Closure Device:** Fusible link.
- Fire Closure Temperature:** 165°F (75°C).
- Minimum Size:** 4" x 2" (102 x 51)
- Maximum Size:** Single section: 36" x 40" (914 x 1016)
 Multiple section: 36" x 65" (914 x 1651) or
 72" x 29" (1829 x 737)

Options

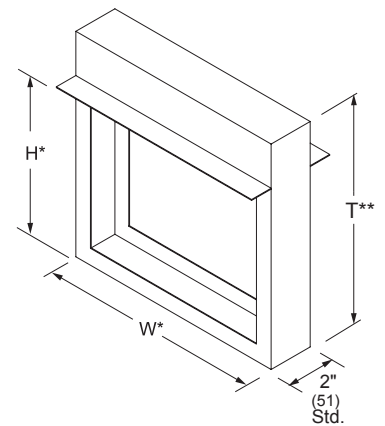
- Factory installed sleeve:
 - Gauge: 20 (1.0) 18 (1.3) 16 (1.6) 14 (2.0) 10 (3.5)
 - Length: 12" (305) 16" (406) 24" (610) Other ____
- Transitions:
 - Round Oval
 - Duct connections (sleeve required):
 - 1" (25) S-clip DM-25 DM-35 WARD
- Retaining angle systems:
 - Gauge: 20 (1.0) 16 (1.6)
 - Picture frame: SSPF (single-side) DSPF (2-side)
 - Individual angle sets: SS (single-side) DS (2-side)
- Alternate fire closure temperature.
 - 212°F (100°C)
- Duct access door factory mounted in common sleeve.
- Generic mullion for oversized masonry or concrete openings.

Ratings

- UL 555 Fire Resistance Rating:** 1½ hour (vertical)
- UL HNLJ.V-5:** Ventilation Duct Assemblies

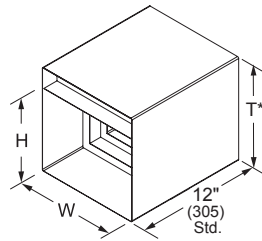
Listings

- UL 555 listing:** R14981
- CSFM listing:** 3225-1404:101
- New York City MEA listing:** 295-98-E
- Meets NFPA Standards:** 90A, 92A, 92B and 101
- Meets Building Code Standards:** IBC, NBC, NFPA, SBC and UBC



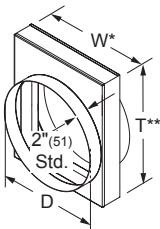
Model **FD-2-B**
(standard)

* Damper dimensions furnished approximately 1/4" (6) undersize.

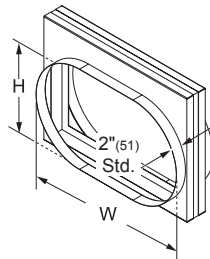


Sleeve Type B (optional)

† Damper dimensions furnished approximately 1/8" (3) undersize.



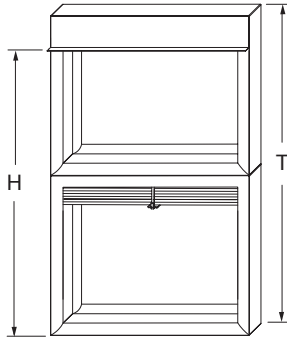
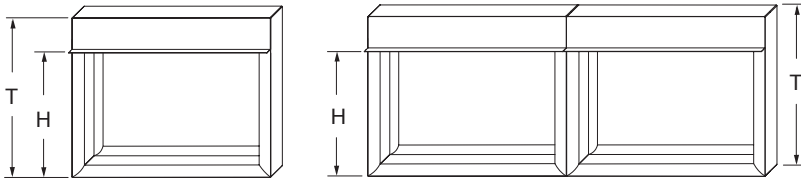
Type BR (optional)
 Round duct transitions are standard with D=W. (available with D<W)



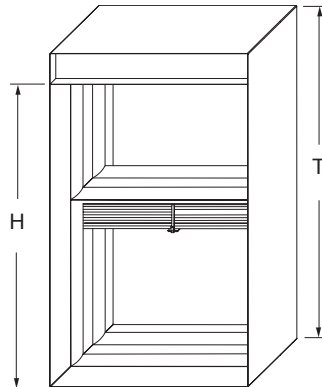
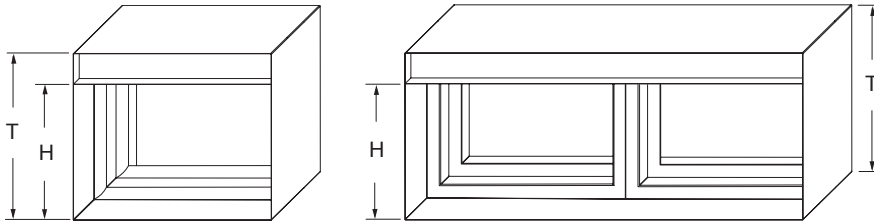
Type BO (optional)
 Oval duct transitions are standard with W equal to damper width dimension. (available with W smaller than damper width)

**See table on next page for 'T' dimension

Damper Height Dimensional Data



Model **FD-2-B**
(standard)



Sleeve Style S
(optional)

Nominal Duct Height 'H'	Damper Height 'T'	Nominal Duct Height 'H'	Damper Height 'T'
2" (51)	4" (102)	34" (864)	41" (1041)
3" (76)	5" (127)	35" (889)	42" (1067)
4" (102)	6" (152)	36" (914)	43" (1092)
5" (127)	7" (178)	37" (940)	45" (1143)
6" (152)	8" (203)	38" (965)	46" (1168)
7" (178)	9" (229)	39" (991)	47" (1194)
8" (203)	10" (254)	40" (1016)	48" (1219)
9" (229)	11" (279)	41" (1041)	49" (1245)
10" (254)	12" (305)	42" (1067)	50" (1270)
11" (279)	14" (356)	43" (1092)	51" (1295)
12" (305)	15" (381)	44" (1118)	52" (1321)
13" (330)	16" (406)	45" (1143)	53" (1346)
14" (356)	17" (432)	46" (1168)	54" (1372)
15" (381)	19" (483)	47" (1194)	55" (1397)
16" (406)	20" (508)	48" (1219)	54" (1372)
17" (432)	21" (533)	49" (1245)	55" (1397)
18" (457)	22" (559)	50" (1270)	56" (1422)
19" (483)	23" (584)	51" (1295)	57" (1448)
20" (508)	25" (635)	52" (1321)	58" (1473)
21" (533)	26" (660)	53" (1346)	59" (1499)
22" (559)	27" (686)	54" (1372)	60" (1524)
23" (584)	28" (711)	55" (1397)	61" (1549)
24" (610)	29" (737)	56" (1422)	62" (1575)
25" (635)	31" (787)	57" (1448)	63" (1600)
26" (660)	32" (813)	58" (1473)	64" (1626)
27" (686)	33" (838)	59" (1499)	65" (1651)
28" (711)	34" (864)	60" (1524)	67" (1702)
29" (737)	35" (889)	61" (1549)	68" (1727)
30" (762)	36" (914)	62" (1575)	69" (1753)
31" (787)	38" (965)	63" (1600)	70" (1778)
32" (813)	39" (991)	64" (1626)	71" (1803)
33" (838)	40" (1016)	65" (1651)	72" (1829)