

Application

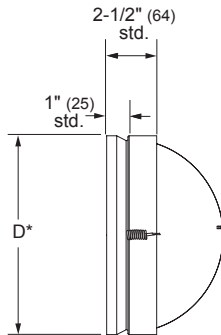
The FD-35R fire damper employs round butterfly blades for point-of-origin control of fire in static HVAC systems. The FD-35R may be installed in vertical walls or partitions with fire resistance ratings up to 4 hours.

Standard Construction

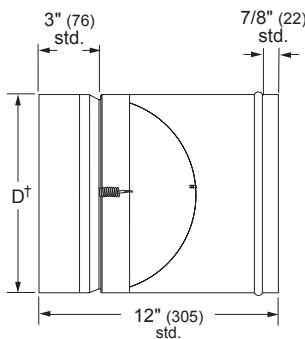
- Frame:** 22 gauge (0.85) galvanized steel.
- Blade:** 22 gauge (0.85) galvanized steel — round butterfly.
- Fire Closure Device:** Fusible link.
- Fire Closure Temperature:** 165°F (75°C).
- Minimum Size:** 6" Ø (152 Ø)
- Maximum Size:** 20" Ø (508 Ø)

Options

- Integral Sleeve
 - Gauge: 20 (1.0) 16 (1.6)
 - Length: 12" (305) 16" (406) 24" (610) Other _____
- Retaining Angle Systems
 - Retaining plates for factory supplied sleeve.
 - 1-1/2" x 1-1/2" x 10 ga. (38 x 38 x 3.5) retaining angle rings (both sides).
- Alternate fire closure temperature:
 - 212°F (100°C)



Side View (FD-35R)



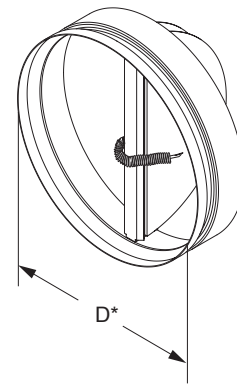
Side View (Sleeve)

Ratings

UL Fire Resistance Rating: 3 hour (vertical)

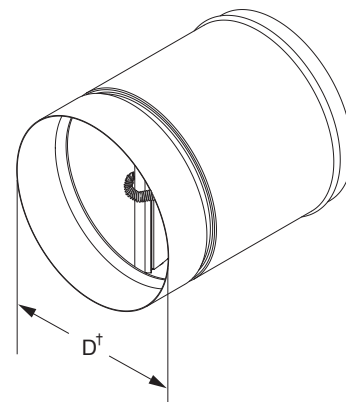
Listings

- UL 555 listing:** R14981
- CSFM listing:** 3225-1404:110
- Meets NFPA Standards:** 90A, 92A, 92B and 101
- Meets Building Code Standards:** IBC, NBC, NFPA, SBC and UBC



Model **FD-35R**
(standard)

*Damper dimensions furnished approximately 1/4" (6) undersize.



Sleeve (optional)

†Damper dimensions furnished approximately 1/8" (3) undersize.