



## Application

The FD-4-A fire damper employs curtain style blades for point-of-origin control of fire in static HVAC systems. The FD-4-A may be installed in vertical walls or partitions, or horizontally in floors or assemblies with fire resistance ratings up to 2 hours.

## Standard Construction

**Frame:** 22 gauge (0.85) galvanized steel.

**Blades:** 24 gauge (0.7) galvanized steel – curtain style.

**Fire Closure Device:** Fusible link.

**Fire Closure Temperature:** 165°F (75°C).

**Minimum Size:** Vertical mount: 4" x 4" (102 x 102)  
Horizontal mount: 6" x 6" (152 x 152)

**Maximum Size:** Single section: Vertical: 48" x 48" (1219 x 1219)  
Horizontal: 40" x 40" (1016 x 1016)  
Multiple Section: Vertical: 120" x 80" (3048 x 2032) or  
80" x 120" (2032 x 3048)  
Horizontal: 80" x 80" (2032 x 2032)

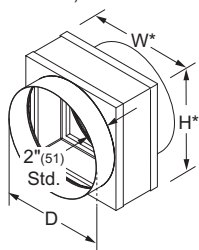
**Stainless Steel:** Single section: 40" x 40" (1016 x 1016)  
Multiple Section: Vertical: 80" x 40" (2032 x 1016) or  
40" x 80" (1016 x 2032) or  
108" x 24" (2743 x 559)  
Horizontal: 80" x 40" (2032 x 1016) or  
40" x 80" (1016 x 2032)

## Options

- Factory installed sleeve:  Integral  
Gauge:  20 (1.0)  18 (1.3)  16 (1.6)  14 (2.0)  10 (3.5)  
Length:  12" (305)  16" (406)  24" (610)  Other \_\_\_\_\_
- Low leakage taped joints. (Integral sleeve required)
- Transitions:  Flanged (sleeve required)
  - Round  Oval
  - Duct connections (sleeve required):
  - 1" (25) S-clip  DM-25  DM-35  S & Drive  WARD
- Retaining angle systems:  
Gauge:  20 (1.0)  16 (1.6)  
Picture frame:  SSPF (single-side)  DSPF (2-side)  
Individual angle sets:  SS (single-side)  DS (2-side)
- Alternate fire closure temperature.  
 212°F (100°C)
- Duct access door factory mounted in common sleeve.
- Generic mullion for oversized masonry or concrete openings.
- Type-304 stainless steel construction.

### Round Transitions

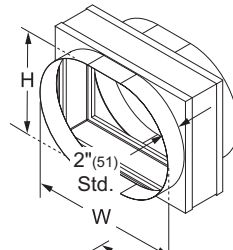
(Standard with D=W=H. Available with D<W and H)



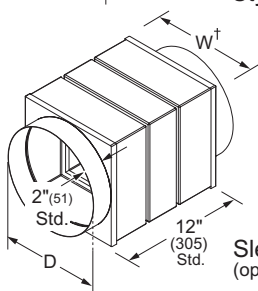
Style AR (optional)

### Oval Transitions

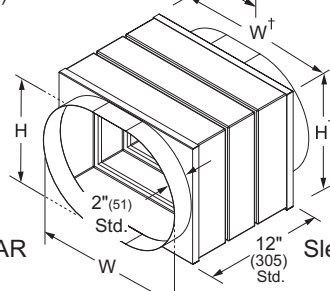
(Standard with W and H equal to damper width and height dimensions. Available with W and H smaller than damper width and height)



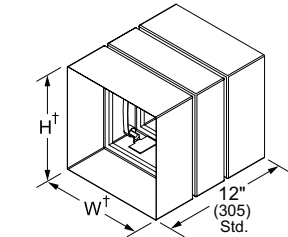
Style AO (optional)



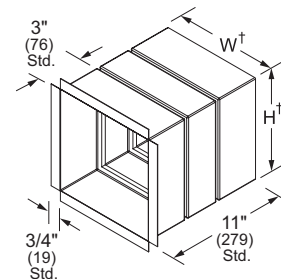
Sleeve Style ISAR (optional)



Sleeve Style ISAO (optional)



Sleeve Style ISA (optional)



Sleeve Style ISAF (optional)  
With standard flange.  
(Typical for use with grille.)

## Ratings

**UL 555 Fire Resistance Rating:** 1 1/2 hour (vertical and horizontal)

**UL HNLJ.V-5:** Ventilation Duct Assemblies



## Listings

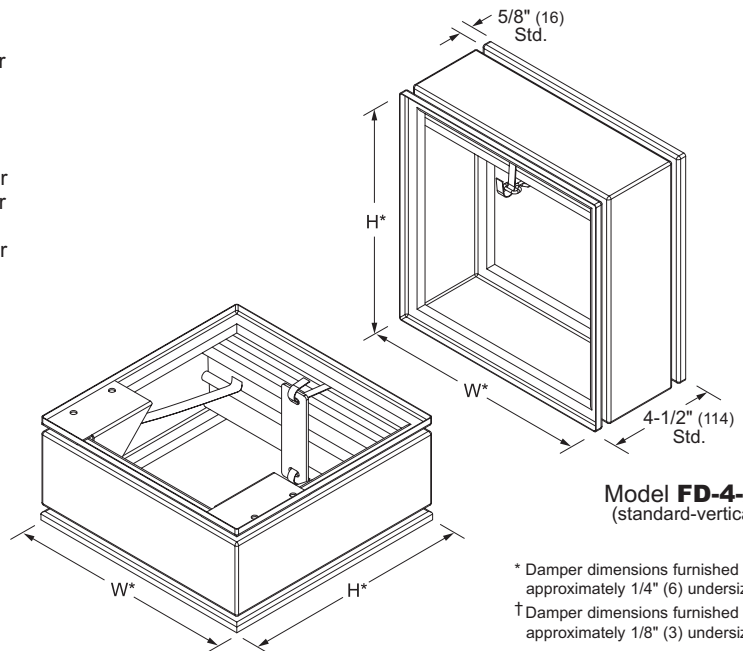
**UL 555 listing:** R11767

**CSFM listing:** 3225-0368:101

**New York City MEA listing:** 295-98-E

**Meets NFPA Standards:** 90A, 92A, 92B and 101

**Meets Building Code Standards:** IBC, NBC, NFPA, SBC and UBC

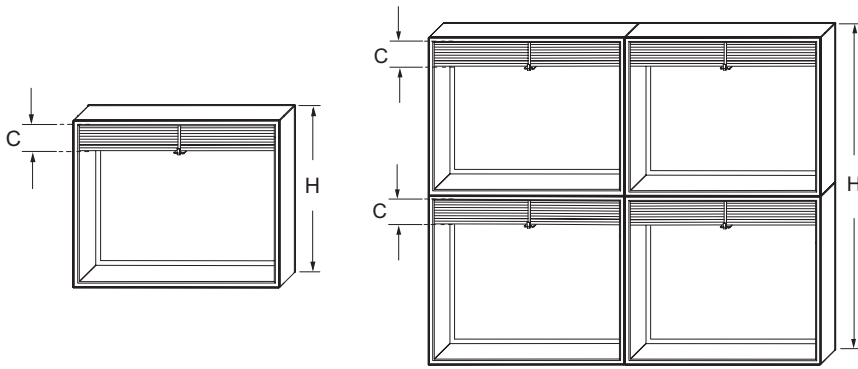


Model **FD-4-A**  
(standard-vertical)

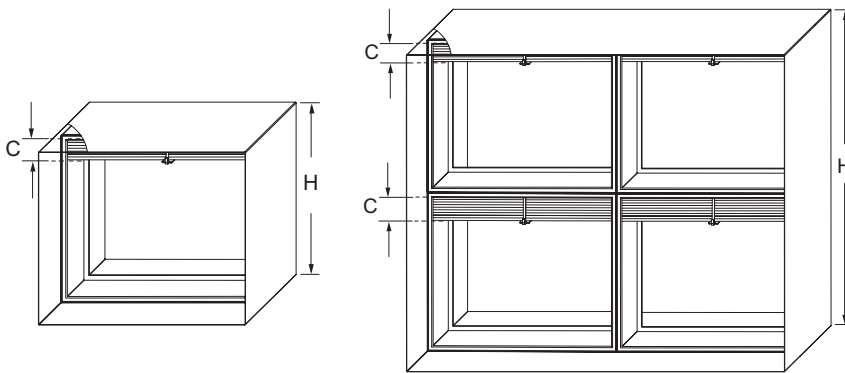
Model **FD-4-A**  
(standard-horizontal)

\* Damper dimensions furnished approximately 1/4" (6) undersize.  
† Damper dimensions furnished approximately 1/8" (3) undersize.

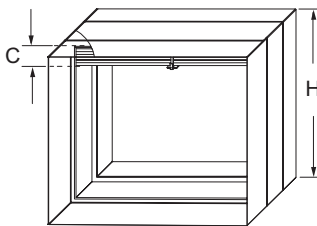
# Blade Stack Dimensional Data



**Framed Unit — No Sleeve**  
(Multiple section units supplied as individual dampers for field assembly)



**Sleeve Style S — Common Sleeve**  
(Multiple section units supplied as a single assembly)



**Sleeve Style IS — Integral Sleeve**

## Single Section

Nominal Duct Height 'H'	Blade Stack Height 'C'
4" (102)	1-1/16" (27)
5" (127)	1-1/16" (27)
6" (152)	1-1/16" (27)
7" (178)	1-3/16" (30)
8" (203)	1-3/16" (30)
9" (229)	1-3/16" (30)
10" (254)	1-7/16" (37)
11" (279)	1-7/16" (37)
12" (305)	1-7/16" (37)
13" (330)	1-9/16" (40)
14" (356)	1-9/16" (40)
15" (381)	1-13/16" (46)
16" (406)	1-13/16" (46)
17" (432)	1-13/16" (46)
18" (457)	1-15/16" (49)
19" (483)	1-15/16" (49)
20" (508)	2-3/16" (56)
21" (533)	2-3/16" (56)
22" (559)	2-3/16" (56)
23" (584)	2-5/16" (59)
24" (610)	2-5/16" (59)
25" (635)	2-9/16" (65)
26" (660)	2-9/16" (65)
27" (686)	2-9/16" (65)
28" (711)	2-11/16" (68)
29" (737)	2-11/16" (68)
30" (762)	2-15/16" (75)
31" (787)	2-15/16" (75)
32" (813)	2-15/16" (75)
33" (838)	3-1/16" (78)
34" (864)	3-1/16" (78)
35" (889)	3-5/16" (84)
36" (914)	3-5/16" (84)
37" (940)	3-5/16" (84)
38" (965)	3-7/16" (87)
39" (991)	3-7/16" (87)
40" (1016)	3-11/16" (94)
41" (1041)	3-11/16" (94)
42" (1067)	3-11/16" (94)
43" (1092)	3-13/16" (97)
44" (1118)	3-13/16" (97)
45" (1143)	4-1/16" (103)
46" (1168)	4-1/16" (103)
47" (1194)	4-1/16" (103)
48" (1219)	4-3/16" (106)

## Multiple Section

Nominal Duct Height 'H'	Blade Stack Height 'C'
41" (1041)	2-3/16" (56)
42" (1067)	2-3/16" (56)
43" (1092)	2-3/16" (56)
44" (1118)	2-3/16" (56)
45" (1143)	2-3/16" (56)
46" (1168)	2-5/16" (59)
47" (1194)	2-5/16" (59)
48" (1219)	2-5/16" (59)
49" (1245)	2-5/16" (59)
50" (1270)	2-9/16" (65)
51" (1295)	2-9/16" (65)
52" (1321)	2-9/16" (65)
53" (1346)	2-9/16" (65)
54" (1372)	2-9/16" (65)
55" (1397)	2-9/16" (65)
56" (1422)	2-11/16" (68)
57" (1448)	2-11/16" (68)
58" (1473)	2-11/16" (68)
59" (1499)	2-11/16" (68)
60" (1524)	2-15/16" (75)
61" (1549)	2-15/16" (75)
62" (1575)	2-15/16" (75)
63" (1600)	2-15/16" (75)
64" (1626)	2-15/16" (75)
65" (1651)	2-15/16" (75)
66" (1676)	3-1/16" (78)
67" (1702)	3-1/16" (78)
68" (1727)	3-1/16" (78)
69" (1753)	3-1/16" (78)
70" (1778)	3-5/16" (84)
71" (1803)	3-5/16" (84)
72" (1829)	3-5/16" (84)
73" (1854)	3-5/16" (84)
74" (1880)	3-5/16" (84)
75" (1905)	3-5/16" (84)
76" (1930)	3-7/16" (87)
77" (1956)	3-7/16" (87)
78" (1981)	3-7/16" (87)
79" (2007)	3-7/16" (87)
80" (2032)	3-11/16" (94)
81" (2057)	2-9/16" (64)
82" (2083)	2-9/16" (64)
83" (2108)	2-9/16" (64)
84" (2134)	2-11/16" (68)
85" (2159)	2-11/16" (68)
86" (2184)	2-11/16" (68)
87" (2210)	2-11/16" (68)
88" (2235)	2-11/16" (68)
89" (2261)	2-11/16" (68)
90" (2286)	2-15/16" (75)
91" (2311)	2-15/16" (75)
92" (2337)	2-15/16" (75)
93" (2362)	2-15/16" (75)
94" (2388)	2-15/16" (75)
95" (2413)	2-15/16" (75)
96" (2438)	2-15/16" (75)
97" (2464)	2-15/16" (75)
98" (2489)	2-15/16" (75)
99" (2515)	3-1/16" (78)
100" (2540)	3-1/16" (78)
101" (2565)	3-1/16" (78)
102" (2591)	3-1/16" (78)
103" (2616)	3-1/16" (78)
104" (2642)	3-1/16" (78)
105" (2667)	3-5/16" (84)
106" (2692)	3-5/16" (84)
107" (2718)	3-5/16" (84)
108" (2743)	3-5/16" (84)
109" (2769)	3-5/16" (84)
110" (2794)	3-5/16" (84)
111" (2819)	3-5/16" (84)
112" (2845)	3-5/16" (84)
113" (2870)	3-5/16" (84)
114" (2896)	3-7/16" (87)
115" (2921)	3-7/16" (87)
116" (2946)	3-7/16" (87)
117" (2972)	3-7/16" (87)
118" (2997)	3-7/16" (87)
119" (3023)	3-7/16" (87)
120" (3048)	3-11/16" (94)

Vertical Dampers Only

Vertical Dampers Only

**Note:** Vertical dampers exceeding 48" in width or height will be manufactured in sections not exceeding 40" x 40". Stainless steel vertical dampers exceeding 80" in width will be manufactured in sections not exceeding 36" x 24".

Dampers shown as vertical mount. Horizontal mount supplied in the same orientation.