



Application

The FD-4D-3B fire damper employs out of the air stream curtain style blades for point-of-origin control of fire in static and dynamic HVAC systems. The FD-4D-3B is qualified to 4,000 ft/min (20.4 m/s) and 4 in.wg. (1.0 kPa) and may be installed in vertical walls or partitions with fire resistance ratings up to 4 hours.

Standard Construction

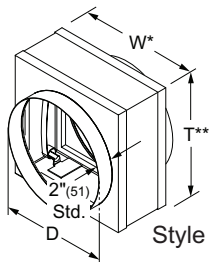
- Frame:** 22 gauge (0.85) galvanized steel.
- Blades:** 24 gauge (0.7) galvanized steel – curtain style.
- Fire Closure Device:** Fusible link.
- Fire Closure Temperature:** 165°F (75°C).
- Minimum Size:** 6" × 4" (152 × 102)
- Maximum Size:** 36" × 33" (914 × 838)
- Multiple Section:** 108" × 21" (2743 × 533)
- Stainless Steel:** Single section: 36" × 21" (914 × 533)

Options

- Factory installed sleeve: Integral
Gauge: 20 (1.0) 18 (1.3) 16 (1.6) 14 (2.0) 10 (3.5)
Length: 12" (305) 16" (406) 24" (610) Other _____
- Low leakage taped joints. (Integral sleeve required)
- Transitions:
 - Round Oval
 - Duct connections (sleeve required):
 - 1" (25) S-clip DM-25 DM-35 WARD
- 16 ga. (1.6) retaining angle systems:
 - Picture frame: SSPF (single-side) DSPF (2-sided)
 - Individual angle sets: SS (single-side) DS (2-sided)
- Alternate fire closure temperature.
 - 212°F (100°C)
- Duct access door factory mounted in common sleeve.
- Type-304 stainless steel construction.

Round Transitions

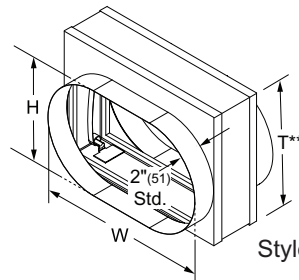
(Standard with D=W=H. Available with D<W and H)



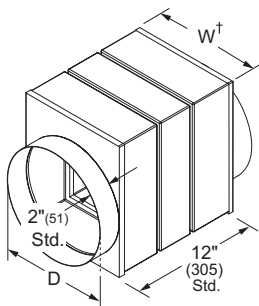
Style BR (optional)

Oval Transitions

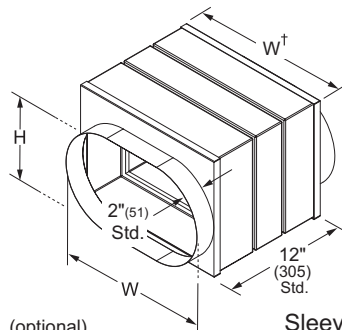
(Standard with W and H equal to damper width and height dimensions. Available with W and H smaller than damper width and height)



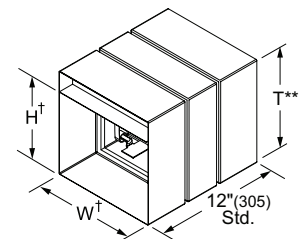
Style BO (optional)



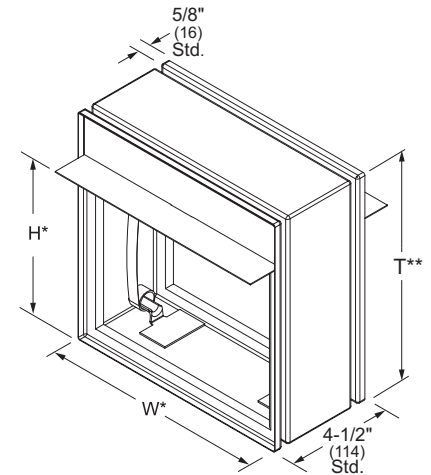
Sleeve Style ISBR (optional)



Sleeve Style ISBO (optional)



Sleeve Style ISB (optional)



Model **FD-4D-3B**
(standard)

* Damper dimensions furnished approximately 1/4" (6) undersize.

† Damper dimensions furnished approximately 1/8" (3) undersize.

Ratings

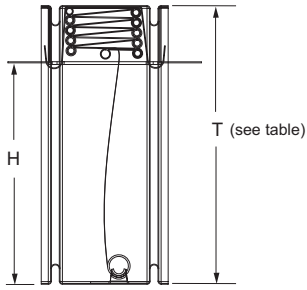
- UL 555 Fire Resistance Rating:** 3 hour (vertical)
- UL HNLJ.V-5:** Ventilation Duct Assemblies
- Maximum Dynamic Closure Velocity:** 4,000 fpm (20.4 m/s)
- Maximum UL555S Rated Pressure:** 4 in.wg. (1.0 kPa)

Listings

- UL 555 listing:** R11767
- CSFM listing:** 3225-0368:101
- New York City MEA listing:** 295-98-E
- Meets NFPA Standards:** 90A, 92A, 92B and 101
- Meets Building Code Standards:** IBC, NBC, NFPA, SBC and UBC



Damper Height Dimensional Data



Nominal Duct Height 'H'	Damper Width	
	Galvanized Vertical Mount: 6" (152) - 36" (914)	Galvanized Vertical Mount: 37" (940) - 108" (2743) Stainless Vertical Mount: 6" (152) - 36" (914)
4" (102)	Damper Height 'T'	Damper Height 'T'
5" (127)	6" (152)	6" (152)
6" (152)	7" (178)	7" (178)
7" (178)	8" (203)	8" (203)
8" (203)	9" (229)	9" (229)
9" (229)	10" (254)	10" (254)
10" (254)	11" (279)	11" (279)
11" (279)	12" (305)	12" (305)
12" (305)	13" (330)	13" (330)
13" (330)	14" (356)	14" (356)
14" (356)	15" (381)	15" (381)
15" (381)	16" (406)	16" (406)
16" (406)	17" (432)	17" (432)
17" (432)	18" (457)	18" (457)
18" (457)	19" (483)	19" (483)
19" (483)	20" (508)	20" (508)
20" (508)	21" (533)	21" (533)
21" (533)	22" (559)	22" (559)
22" (559)	23" (584)	23" (584)
23" (584)	24" (610)	24" (610)
24" (610)	25" (635)	25" (635)
25" (635)	26" (660)	26" (660)
26" (660)	28" (711)	28" (711)
27" (686)	29" (737)	29" (737)
28" (711)	30" (762)	30" (762)
29" (737)	31" (787)	31" (787)
30" (762)	32" (813)	32" (813)
31" (787)	33" (838)	33" (838)
32" (813)	34" (864)	34" (864)
33" (838)	35" (889)	35" (889)
	36" (914)	36" (914)