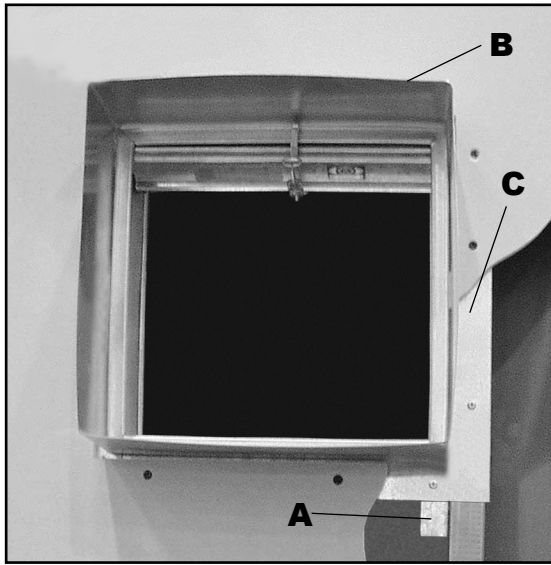
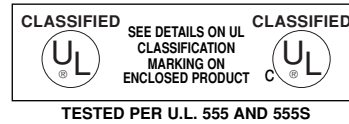


The following installation details apply to models **FD4D-IM** and **FD4-IM**



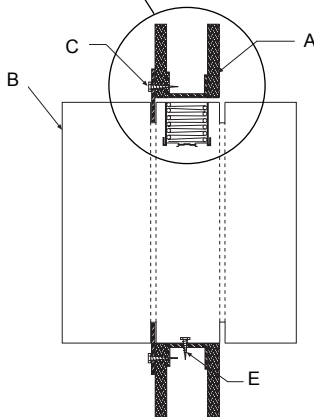
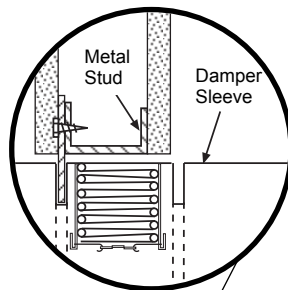
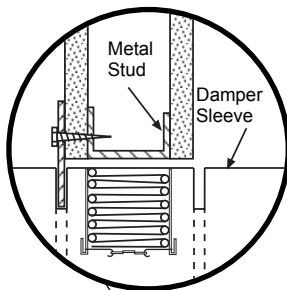
**Figure 1:** Integral Mounting Angle  
**UNDER** Drywall with Metal Stud  
(Cutaway shown for illustration purposes only)



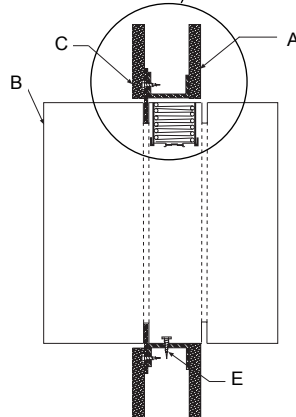
- A. See Wood Stud and/or Steel Stud Framing for Fire Dampers In Drywall and/or Cavity Shaftwall Partitions Supplemental Installation Instructions for further vertical installation details. The opening shall be a minimum of 1/4" (6) with a maximum of 3/4" (19) larger than the overall damper and sleeve assembly size. Integral flange needs to overlap the opening by a minimum of 1" (25). Damper must be installed with leading edge of closed blade within the partition. Note: If optional sealing between the retaining angle (or flange) leg and the surface of the partition, wall, or floor, and/or between the retaining angle leg and the surface of the damper sleeve is required, the following sealants may be used: Dow-Corning 732 or GE RTV 108 or SCS 1201 RTV. These sealants should be applied such that they do not intrude into the annular space between the outside surface of the damper sleeve and the opening of the partition, wall, or floor, into which the damper/sleeve is being installed.
- B. One or more of commonly used breakaway style connections are required. Refer to Sleeve Termination Supplemental Installation Instructions for further details. In no case shall the sleeve gage be less than the duct gauge to which it is connected. The damper sleeve shall not extend more than 6" (152) beyond the rated partition unless an access door or smoke detector is installed in the sleeve which then permits the extension to be a maximum of 16" (406).
- C. The Integral Mounting Angle shall be attached to the partition with 3/16" (4.8) diameter steel rivets, No. 10 (M5) bolts, sheet metal screws or equivalent anchors at 12" (305) o.c. maximum and long enough to engage a minimum 1" (25) into the wood stud or masonry. A minimum of two connections per side, top and bottom. Refer to Sleeve Termination Supplemental Installation Instructions for further details.
- D. No firestop caulking is required on this product. Annular space between damper sleeve and wall opening shall not be filled with firestop materials such as fill, void or cavity materials.
- E. The damper sleeve shall be fastened (on bottom only) directly to the partition with No. 10 (M5) 1" (25) bolts, sheet metal screws or equivalent anchors at 6" (152) c.c. maximum starting 1" (25) from the corner of the damper. A minimum of two connections is required.

**Integral Mounting Angle Over Drywall**

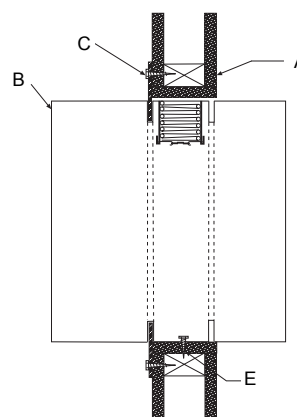
**Integral Mounting Angle UNDER Drywall \* Metal Stud Only**



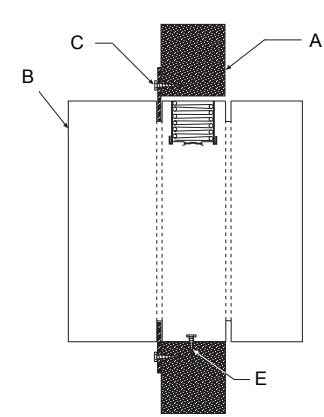
**FIGURE 2:** Metal Stud Angle **Over** Drywall



**FIGURE 3:** Metal Stud Angle **UNDER** Drywall



**FIGURE 4:** Wood Stud



**FIGURE 5:** Concrete or Masonry

DUCT SIZES	FD4-IM	VFD4D-IM
	GALVANIZED STEEL	GALVANIZED STEEL
Maximum Single Section	48" x 48" (1219 x 1219)	36" x 48" (610 x 1219)
Minimum	4" x 4" (102 x 102)	6" x 6" (152 x 152)

**Note:** Annular space between damper sleeve and wall opening shall not be filled with firestop materials such as fill, void or cavity materials.

Underwriter's Laboratories file #R14981. The product is also listed by CSFM File #3225-1404:101