

Application

The FD-4-OP fire damper employs curtain style blades for point-of-origin control of fire in static HVAC systems. These specialty dampers are approved for installation with the closed plane of the curtain up to 2½" (64) outside the fire rated partition and allow for direct service access from the face of the damper through the HVAC grille. The FD-4-OP may be installed in vertical walls or partitions, or horizontally in floors or assemblies with fire resistance ratings up to 2 hours.

Standard Construction

Frame: 22 gauge (0.85) galvanized steel.

Blades: 24 gauge (0.70) galvanized steel.

Sleeve: 14" x 18 gauge (406 x 1.3) galvanized steel with ¾" (19) flange and factory installed thermal insulation on four sides.

Fire Closure Device: Fusible Link.

Fire Closure Temperature: 165°F (75°C).

Minimum Size: 6" x 6" (102 x 102)

Maximum Size: 36" x 36" (914 x 914)

Options

Installation: Vertical Mount Horizontal Mount

Alternate factory installed sleeve:
 Gauge: 16 (1.6) 14 (2.0) 10 (3.5)
 Length: 16" (406) 12" (305) 10" (254)

Transitions: Round Oval
 Duct connections: 1" (25) S-clip
 DM25 DM35 WARD

Retaining angle system:
 Gauge: 20 (1.0) 16 (1.6)
 Picture Frame: SSPF (single-side) DSPF (2-sided)
 Individual angle set: SS (single-side) DS (2-sided)

Alternate fire closure temperature
 212°F (100°C).

Ratings

UL 555 Fire Resistance Rating: 1½ hour (vertical and horizontal)

Listings

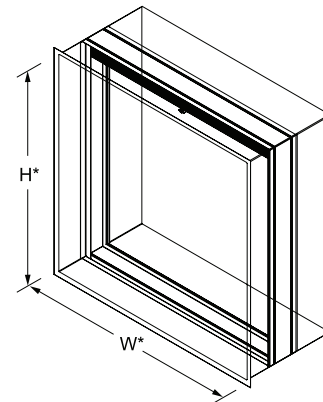
UL 555 and 555S listing: R14981

CSFM listing: 3225-1404:101

New York City MEA listing: 295-98-E

Meets NFPA Standards: 90A, 92A, 92B and 101

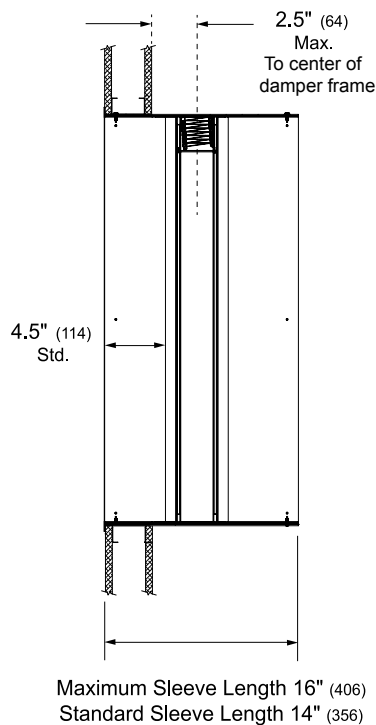
Meets Building Code Standards: IBC, NBC, NFPA, SBC and UBC



Model FD-4-OP (standard)
 *Standard sleeve O.D. including thermal blanket wrap, is approximately 3/8" (9) over nominal duct size. Standard sleeve I.D. is approximately nominal duct size.

NOTE: The opening for the damper assembly in the fire wall must be sized appropriately. If not, serious damage to the thermal blanket wrap could occur and this will nullify the U.L. rating. Contact the factory if necessary for additional information.

Dimensional Data



Blade Stack Dimensional Data

Single Section Sizes Only	
Nominal Duct Height 'H'	Blade Stack Height
6" (152)	1-1/16" (27)
7" (178)	1-3/16" (30)
8" (203)	1-3/16" (30)
9" (229)	1-3/16" (30)
10" (254)	1-7/16" (37)
11" (279)	1-7/16" (37)
12" (305)	1-7/16" (37)
13" (330)	1-9/16" (40)
14" (356)	1-9/16" (40)
15" (381)	1-13/16" (46)
16" (406)	1-13/16" (46)
17" (432)	1-13/16" (46)
18" (457)	1-15/16" (49)
19" (483)	1-15/16" (49)
20" (508)	2-3/16" (56)
21" (533)	2-3/16" (56)
22" (559)	2-3/16" (56)
23" (584)	2-5/16" (59)
24" (610)	2-5/16" (59)
25" (635)	2-9/16" (65)
26" (660)	2-9/16" (65)
27" (686)	2-9/16" (65)
28" (711)	2-11/16" (68)
29" (737)	2-11/16" (68)
30" (762)	2-15/16" (75)
31" (787)	2-15/16" (75)
32" (813)	2-15/16" (75)
33" (838)	3-1/16" (78)
34" (864)	3-1/16" (78)
35" (889)	3-5/16" (84)
36" (914)	3-5/16" (84)