

## Application

The FSD-132-OP combination fire smoke damper employs triple-V blades for point-of-origin control of fire and smoke in static and dynamic smoke management systems. These specialty dampers are approved for installation with the closed plane of the blades up to 14½" (368) outside the fire rated partition and come standard with the actuator in the airstream allowing for direct service access from the face of the damper through the HVAC grille. The FSD-132-OP is qualified to 2,000 ft/min (10.2 m/s) and 4 in.wg. (1.0 kPa) and may be installed in vertical walls and partitions, or horizontally in floors or assemblies with fire resistance ratings up to 2 hours. The FSD-132-OP may also be installed in horizontal openings of metal stud or wood stud tunnel-type corridor ceilings.

## Standard Construction

**Frame:** 5" × 1" (127 × 25) galvanized steel hat channel with interlocking corner gusset. Equivalent to 13 gauge (2.4) channel frame. Low profile head and sill are used on sizes less than 13" (330) high.

**Blades:** 6" × 16 gauge (152 × 1.6) galvanized steel — triple-V.

**Sleeve:** 20 gauge (1.0) galvanized steel with 1" (25) flange and factory installed thermal insulation on four sides.

**Axles:** ½" (13) diameter plated steel hex.

**Linkage:** Concealed in frame.

**Bearings:** Stainless steel oilite, sleeve-type.

**Seals:** Silicone blade edge seals and flexible metal jamb seals.

**Actuator:** 120 VAC, power-open, spring-close, internal mount.

**Fire Closure Device:** HS-10 (electric actuators)  
 PFV (pneumatic actuators)

**Fire Closure Temperature:** 165°F (75°C).

**Minimum Size:** 10" × 6" (254 × 152)

**Maximum Size:** 24" × 24" (610 × 610)

## Options

- Alternate actuator:
  - 24 VAC  230 VAC  Pneumatic
- DRS-30 — Two temperature fire closure device.  
 (Includes PI-50 switch package)
- PI-50 — Dual position indicator switch package.
- Alternate factory installed sleeve:
  - Gauge:  18 (1.3)  16 (1.6)  14 (2.0)  10 (3.5)
- Transitions:  Round  Oval
  - Duct connections:  1" (25) S-clip
  - DM25  DM35  WARD
- Alternate fire closure temperature:
  - 212°F (100°C)  250°F (121°C)
  - 350°F (177°C).
- Duct smoke detector factory mounted and wired:
  - 2151 (0-3,000 fpm [0-15.2 m/s])
- Remote control stations:
  - RCP-1 (single)  RCP-1K (single, key controlled)
  - RCP-1M (single, momentary switch)

## Ratings

**UL 555 Fire Resistance Rating:** 1½ hour (vertical and horizontal)  
 1 hour (tunnel-type corridor ceiling)

**UL 555S Leakage Class:** 2 [20 cfm/sq.ft. @ 4 in.wg.]  
 [(0.10 m³/s/m² @ 1.0 kPa)]

**Maximum Dynamic Closure Velocity:** 2,000 fpm (10.2 m/s)

**Maximum UL555S Rated Pressure:** 4 in.wg. (1.0 kPa)

**Maximum Temperature:** 350°F (177°C)

## Listings

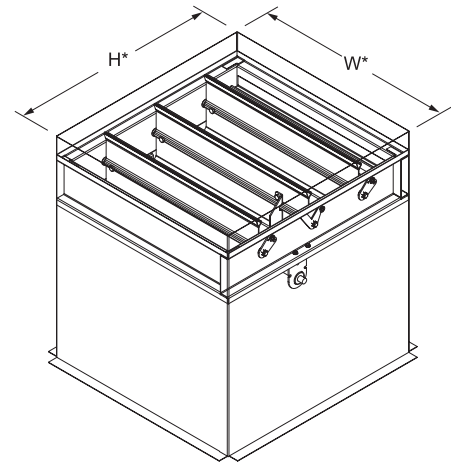
**UL 555 and 555S listing:** R14981

**CSFM listing:** 3225-1404:105 and 3230-1404:106

**New York City MEA listing:** 295-98-E

**Meets NFPA Standards:** 90A, 92A, 92B and 101

**Meets Building Code Standards:** IBC, NBC, NFPA, SBC and UBC



**Model FSD-132-OP**  
 (standard)

\*Standard sleeve O.D. including thermal blanket wrap, is approximately 3/8" (9) over nominal duct size. Standard sleeve I.D. is approximately nominal duct size.

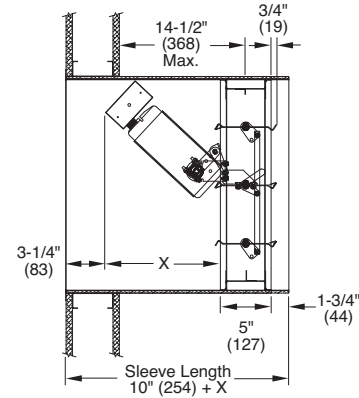
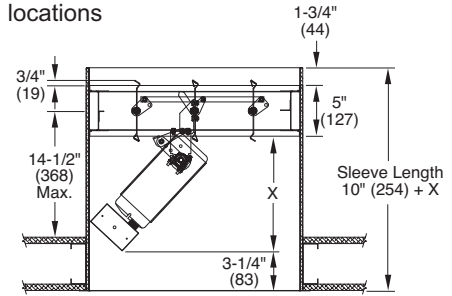
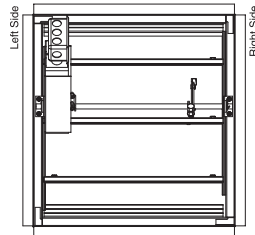
**NOTE:** The opening for the damper assembly in the fire wall must be sized appropriately. If not, serious damage to the thermal blanket wrap could occur and this will nullify the U.L. rating. Contact the factory if necessary for additional information.

# Actuator and Sleeve Dimensional Data

The drawings and corresponding table show the position of the damper when mounted in a factory sleeve and the relative space required for a given actuator. The standard mounting locations provide enough space for installation of retaining angles and duct connections.

Actuator Model	X Dimension		Minimum Damper Size (w x h)
	(H < 15")	(H ≥ 15")	
FSLF120/24 and FSTF120	11" (279)	6" (152)	10" x 6" (254 x 152)
FSNF120/24	14" (356)	11" (279)	10" x 10" (254 x 254)
ML4115/8115 MS4209/8209	10 1/2" (267)	7 1/2" (191)	10" x 8" (254 x 203)
331-4826	N/A	8" (203)	10" x 20" (254 x 508)

**NOTE:** 1. Damper may be rotated 180° to position actuator on right side.  
2. For dimensions on actuators not shown above, contact factory.



# Airflow Performance Data

## Pressure Loss vs. Velocity

Figure 5.3 — Ducted Inlet and Outlet

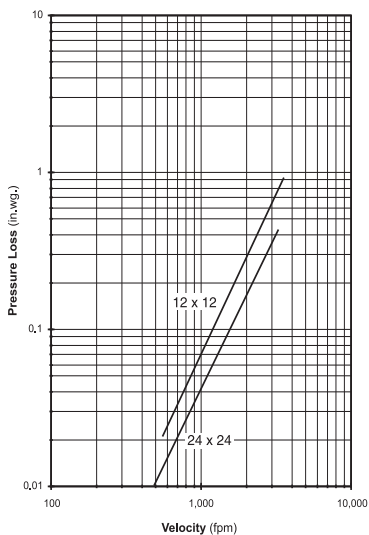


Figure 5.2 — Ducted Inlet

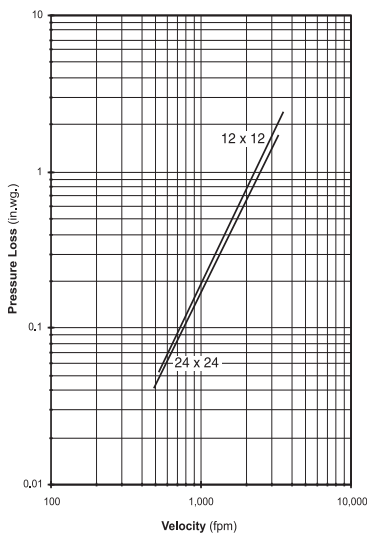
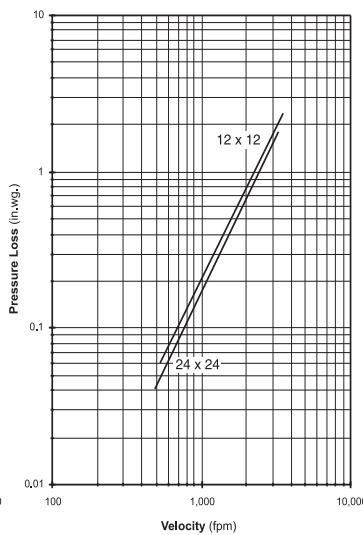
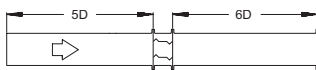


Figure 5.5 Plenum Mount

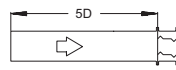


Pressure drop testing was performed in accordance with AMCA Standard 500-D using the three configurations shown. All data has been corrected to represent air density of 0.075 lb/ft. Actual pressure drop in any ducted HVAC system is a combination of many elements. This information, along with analysis of other system influences, should be used to estimate actual pressure losses for a damper installed in a given HVAC system.



### Ducted Inlet and Outlet

AMCA Figure 5.3 illustrates a fully ducted damper. This configuration represents the lowest pressure drop of the three test configurations because entrance and exit losses are minimized by straight duct runs upstream and downstream of the damper.



### Ducted Inlet

AMCA Figure 5.2 illustrates a ducted damper exhausting air into an open area. This configuration has a lower pressure drop than Figure 5.5 because entrance losses are minimized by a straight duct run upstream of the damper.



### Plenum Mount

AMCA Figure 5.5 illustrates a plenum mounted damper. This configuration has the highest pressure drop because of extremely high entrance and exit losses due to the sudden changes of area in the system.