

Application and Design

For 1" (25) or 2" (51) deep filters, rear loaded. For use with extruded aluminum and formed steel louver models.

Standard Construction

Material: 20 ga (1.0) galvanized steel.

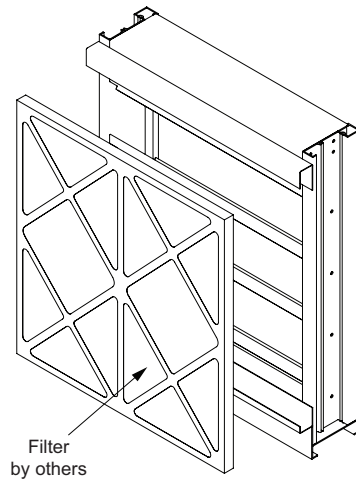
Finish: Mill.

Minimum Size: See appropriate louver minimum.

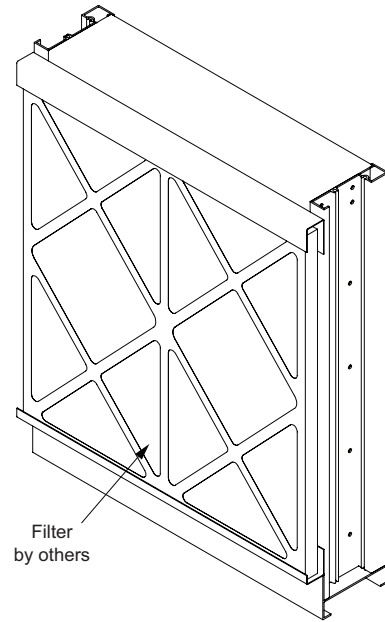
Maximum Size: See appropriate louver maximum.

Typical Details

Views shown with 1" (25) deep filter rack.

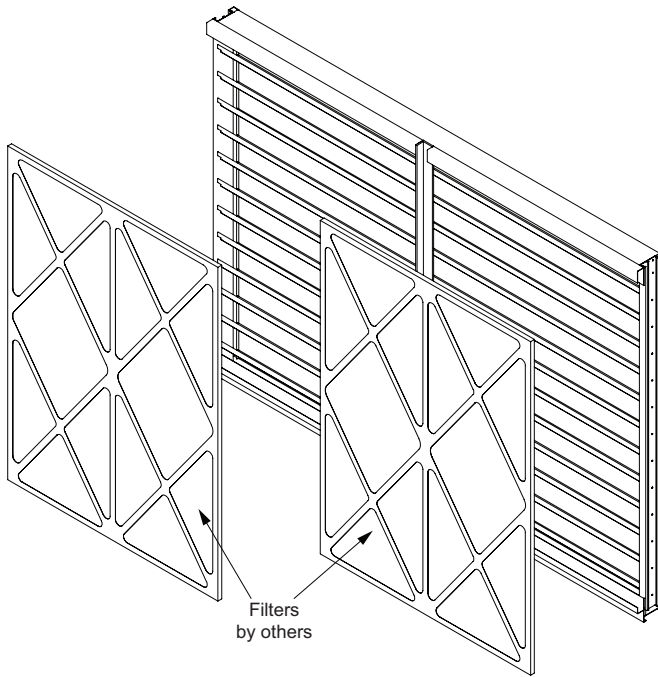


Filter
by others



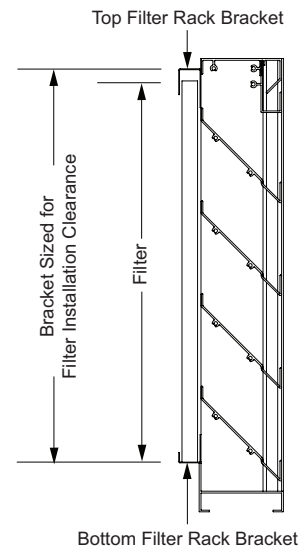
Filter
by others

Exploded View



Filters
by others

Exploded View
Multi-Section, Multi-Filter



Bottom Filter Rack Bracket

Side View

Filter Rack IIFR (1/1) September 2012