

Application and Design

1" (25) glazing frame for window or curtainwall systems. For use with 2", 4", 5" and 6" (51, 102, 127 and 152) extruded aluminum louver models.

Standard Construction

Material: 0.081" (2) thick 6063-T5 extruded aluminum.

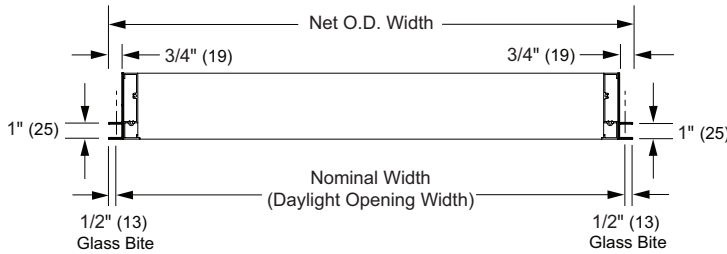
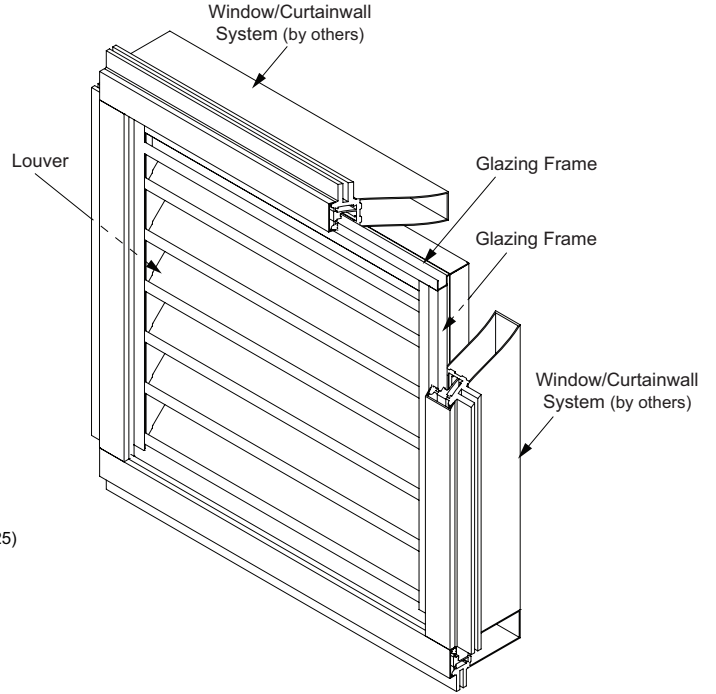
Finish: To match louver finish.

Minimum Size: See appropriate louver minimum.

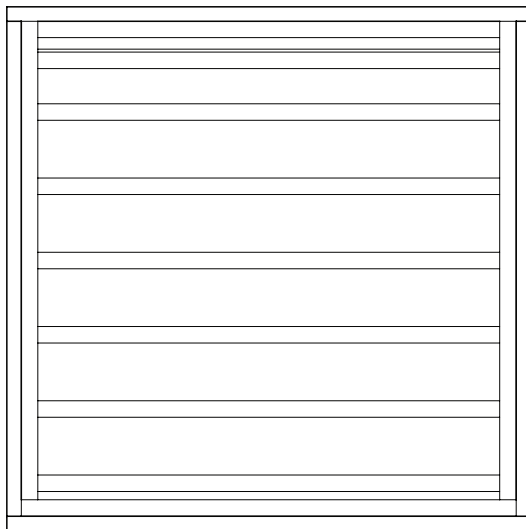
Maximum Size: See appropriate louver maximum.

Typical Details

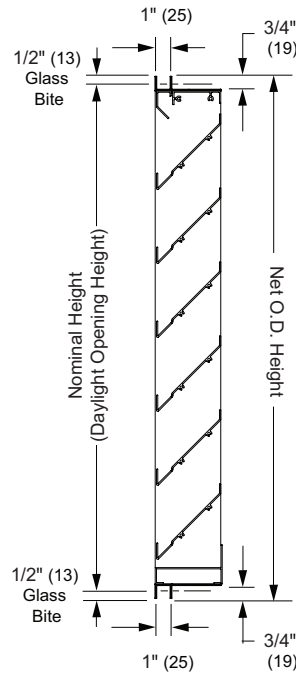
Top, Front, and Side view shown without Window/Curtainwall.



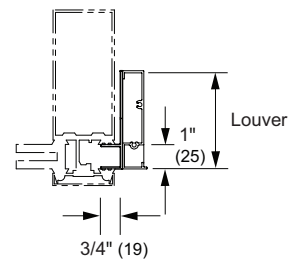
Top View



Front View



Side View



Plan View

Glazing Frame IIGF (1/1) February 2013