

Application and Design

Continuous aluminum gear hinge for 2" (51), 4" (102), 5" (127) and 6" (152) deep aluminum louvers up to 48" (1219) wide by 84" (2134) high; used for situations in which access to the space behind the louver is required. May be ordered with an aluminum channel subframe (door frame) around the perimeter of the opening. Hinged louvers are typically supplied with a welded flange to prevent the louver door from over-rotating through the opening.

Standard Construction

Material: Extruded aluminum.

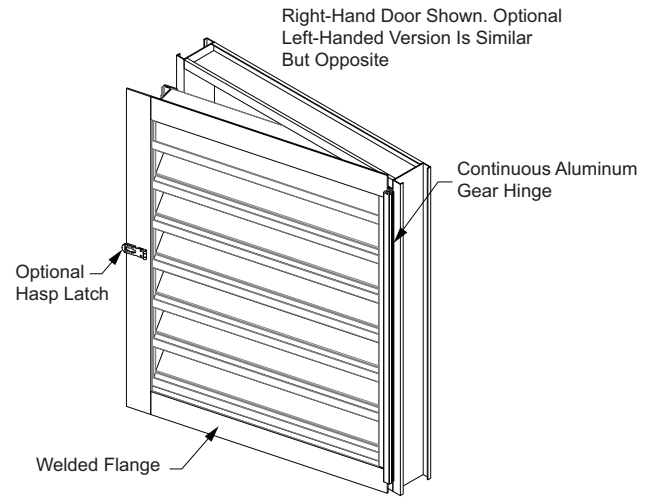
Finish: To match louver finish.

Minimum Size: 12" x 12" (305 x 305).

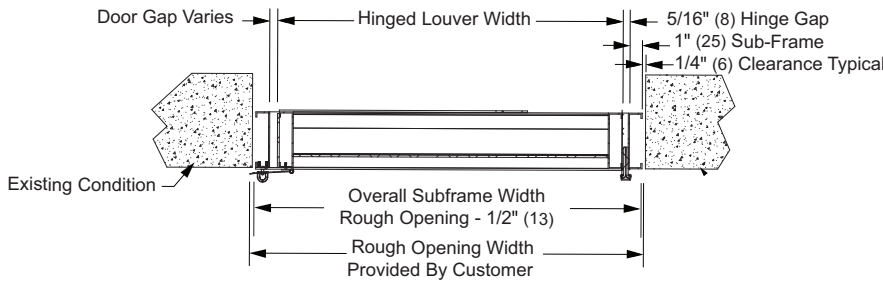
Maximum Size: 48" x 84" (1219 x 2134).

Typical Details

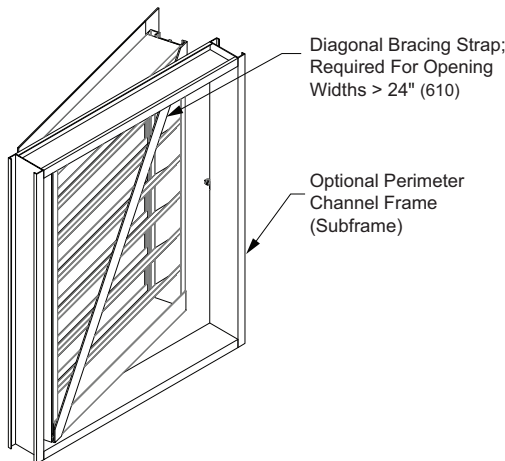
Shown with the recommended aluminum channel subframe around the opening perimeter.



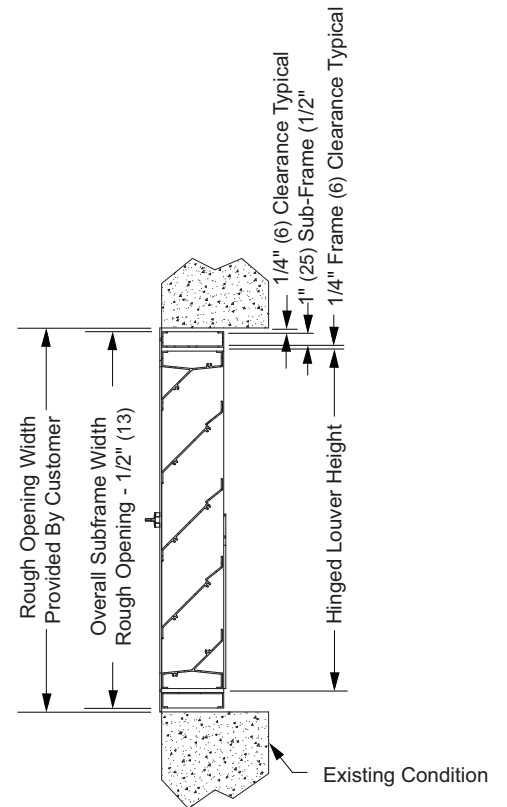
Front Isometric



Top View



Rear Isometric



Side View

Louver Hinge IILH (1/1) June 2013