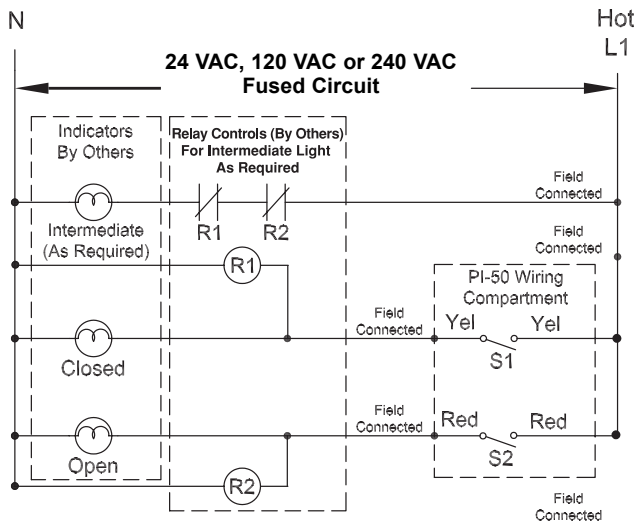


Application

The PI-50 indicator switch package employs an in-jamb assembly plate consisting of two single pole, double throw micro switches to provide full open and full closed blade indication from a remote location. The PI-50 indicator switch package is factory installed directly to a damper blade.

Wiring Diagram



Verify continuity before final wiring.

S1 & S2 - Damper position indicator switches.

- S1 - Closes when damper is closed.
- S2 - Closes when damper is open.
- R1 - Relay control for intermediate position indication.
- R2 - Relay control for intermediate position indication.

Ratings

- 125/250 VAC, 12A
- 250 VAC, 1/3HP; 125 VAC, 1/6HP
- 250 VDC, 1/4A; 125 VDC, 1/2A
- Max. ambient temp. 257°F (125°C)

Listings

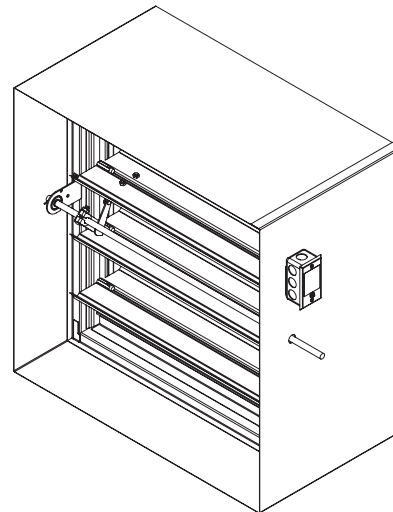
UL 555 listing: R14981

CSFM listing: 3225-1404:110, 3225-1404:111,
3225-1404:112, 3225-1404:113,
3225-1404:115, and 3225-1404:116.

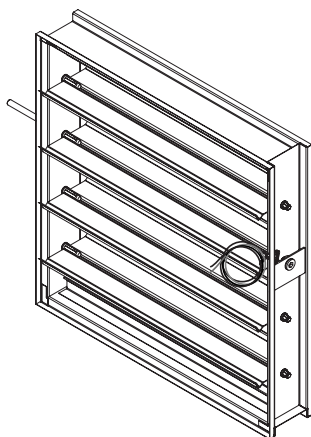
New York City MEA listing: 295-98-E

Meets NFPA Standards: 90A, 92A, 92B and 101

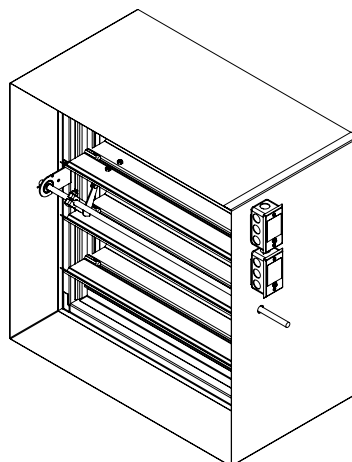
Meets Building Code Standards: IBC, NBC, NFPA, SBC and UBC



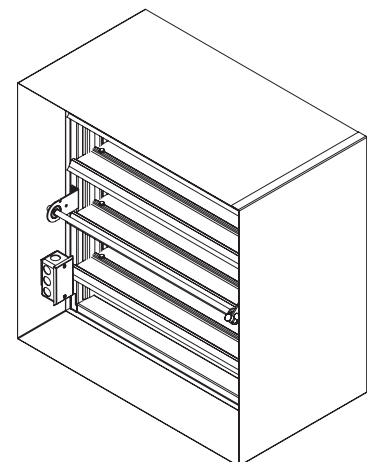
Model **PI-50** (sleeve option), external mount wiring box



Model **PI-50** (no sleeve)



Model **PI-50** (sleeve and two per ordered size option), external mount wiring box (internal mount wiring box available)



Model **PI-50** (sleeve option), internal mount wiring box