

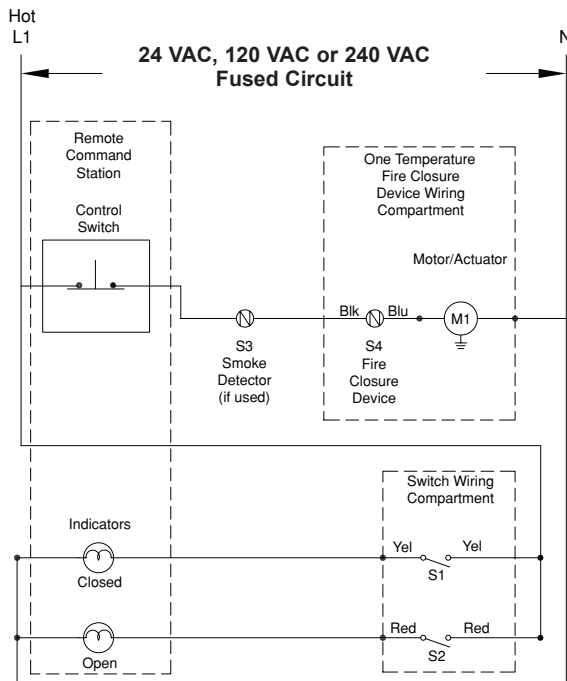
## Application

The RCP-1M remote control panel device employs a momentary push button switch that permits cycle testing at the damper location for dampers installed in static or dynamic smoke control systems. The RCP-1M remote control panel is equipped so that it can be integrated with two position indicator switches to signal the full-open or full-closed position of a damper. A red indicator light signals that the damper is in the full-closed position. A green indicator light signals that the damper is fully open.

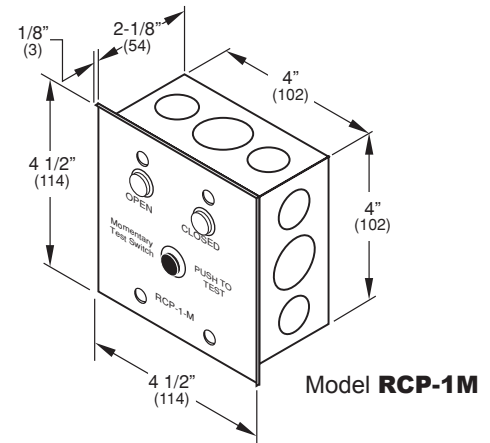
## Ratings

115 VAC, 16A  
250 VAC, 10A

## Wiring Diagram



- S1 & S2** - Damper position indicator switches.  
S1 - Closes when damper is closed.  
S2 - Closes when damper is open.
- S3** - Smoke detector or fan interlock.
- S4** - Single temperature fire closure device.



Model **RCP-1M**

## RCP Control Switch Function

### Normal

- The damper remains open except in either of the following situations:
1. The smoke detector cuts the power to the "Power-Open" motor/actuator.
  2. An elevated duct temperature causes the fire closure device to cut power to the "Power-Open" motor/operator.

The damper will remain closed until the duct temperature has returned to a safe level. At that point the fire closure device can be manually reset, allowing the damper to be reopened.

### Closed

The damper closes and remains closed regardless of any sensor signal.

### Test

The damper closes by pushing and holding the switch button down. Upon releasing the button the damper returns to its full-open position.