

Application

RCS-42 control dampers employ triple-V blades and an integrated screw-drive assembly for remote cable operated manual air control and balancing in low pressure and velocity applications.

Standard Construction

Frame: 5" x 1" (127 x 25) galvanized steel hat channel with interlocking corner gusset. Equivalent to 13 gauge (2.4) channel frame. Low profile head and sill are used on sizes less than 13" (330) high.

Blades: 6" x 16 gauge (152 x 1.5) galvanized steel — triple-V, single blade or opposed blade action type.

Axles: 1/2" (13) diameter plated steel hex.

Linkage: Concealed in frame.

Bearings: Synthetic

Control Shaft: 1/2" x 3" (13 x 76) round drive axle with a control arm/screw-drive assembly factory installed on a stand-off bracket attached to an 10" x 20 ga. (254 x 1.0) side plate secured to the damper frame.

Remote Control Cable Assembly: 5/32" Ø x 36" long (4.0 Ø x 914) cable with 3/16" (4.8) allen hex-head drive, 2" (51) wide steel mounting bracket, 15/16" x 1 1/2" long (24 x 38) round plastic tube and plastic finishing plug.

Minimum Size: Single blade: 6" x 5" (152 x 127)
Two blades: 6" x 10" (152 x 254)

Maximum Size: 36" x 36" (914 x 914)

Options

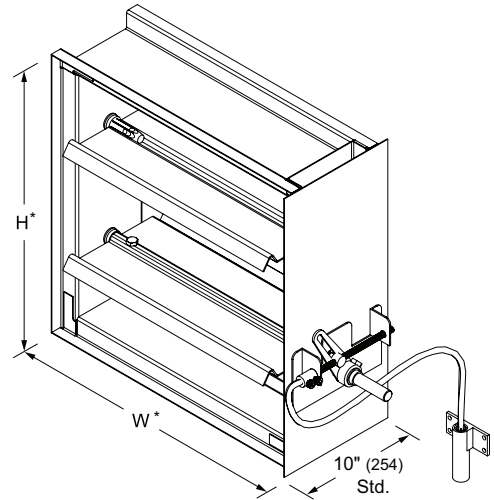
- Factory installed sleeve.
Gauge: 20 (1.0) 16 (1.6)
Length: 10" (254) 12" (305)
- Additional cable length:
_____ inches
- Hex tool handle: 'L' shaped, Std. 'T'-handle
- Nickel plated steel finishing plug.

Ratings

Maximum System Velocity: 1500 fpm (7.7 m/s)

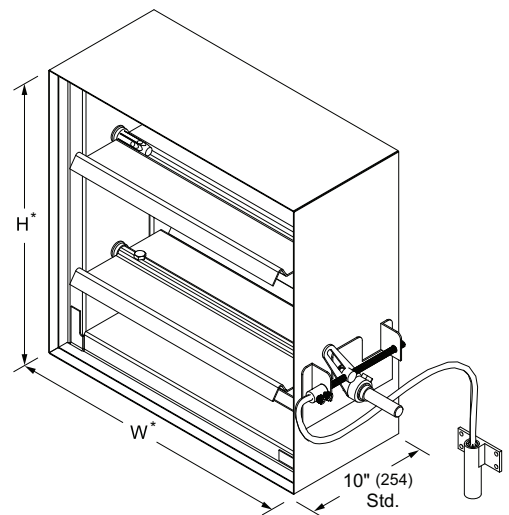
Maximum System Pressure: 3 in. w.g. (0.8 kPa)

Temperature: -25°F to 350°F (-32°C to +177°C)



Model **RCS-42** (standard)

*Damper dimensions furnished approximately 1/4" (6) undersize



Sleeve (optional)

*Damper dimensions furnished approximately 1/8" (3) undersize.

