

Application

The RD-521-BT ceiling radiation damper employs butterfly style blades for point-of-origin control of radiant heat in HVAC systems. The RD-521-BT is installed horizontally in the ceiling membrane of combustible and non-combustible assemblies with a fire-resistance rating up to and including 1 hour.

Standard Construction

Frame: 30 gauge (0.40) galvanized steel outlet box with 1½" (38) thick fiberglass R-6.3 insulation.

Blades: 22 gauge (0.85) galvanized steel – butterfly.

Plaster Ground: ⅝" (16) deep × 1" (25) wide.

Fire Closure Device: Fusible link.

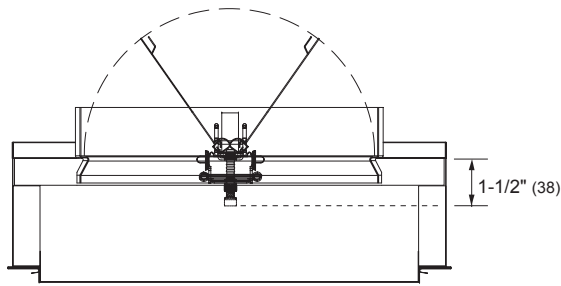
Fire Closure Temperature: 165°F (75°C).

Minimum Size: Grille Opening — 4" × 4" (102 × 102)
 Duct — 4" Ø (102 Ø).

Maximum Size: Grille Opening — Square: 12" × 12" (305 × 305)
 Rectangular: 24" (610) W or 24" (610) H
 with a maximum area of 144 in.² (929 cm²).
 Duct - 10"Ø (254Ø)

Options

- Optional R-8.0 outlet box
- Alternate 212°F (100°C) fire closure temperature.
- VC — volume control device factory mounted.
- Boot rail installation set:
 2 pieces 25" (635) long.



RD-521-BT with optional VC

Outlet Box Height Table	
Damper Diameter 'D'	Assembly Height 'T'
4" (102) to 6" (152)	6 ½" (165)
7" (178)	7" (178)
8" (203)	7 ½" (191)
9" (229)	8" (203)
10" (254)	8 ½" (216)

Ratings

UL 555C Fire Resistance Rating: 1 hour (horizontal, for use in UL assemblies L-521, L-546, L-574, L-576, L-581, L-583, L-585, P-522, P-545 and P-547).

Thermal Resistance: R-6.3 or 8.0

Listings

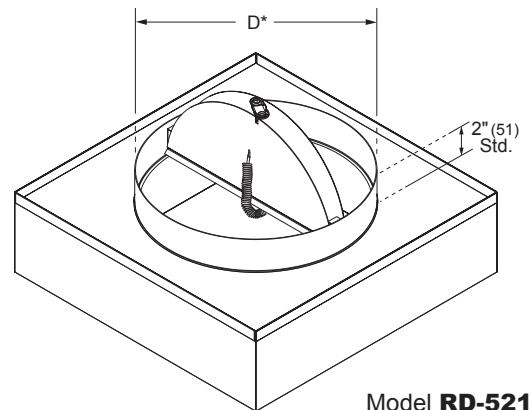
UL 555C listing: R14980

CSFM listing: 3226-1404:100

Warnock Hersey listing #: WHI-495-PSH-0177, -0178

Meets NFPA Standards: 90A and 101

Meets Building Code Standards: IBC, NBC, NFPA, SBC and UBC



Model RD-521-BT
 (standard)
 *Damper dimensions furnished approximately net O.D.

