



model **RD-521-NP**
1 hour — ceiling radiation damper
field installed insulated duct board outlet box — butterfly style blade

Application

The RD-521-NP ceiling radiation damper employs butterfly style blades for point-of-origin control of radiant heat in HVAC systems. The RD-521-NP is installed horizontally in the ceiling membrane of combustible floor-ceiling or roof-ceiling assemblies with fire resistance ratings up to and including 1 hour. The RD-521-NP must have a field assembled insulated duct board outlet box installed on it.

Standard Construction

- Frame:** 22 gauge (0.85) galvanized steel
- Blades:** 22 gauge (0.85) galvanized steel – butterfly. Insulated with ceramic refractory material for dampers larger than 114 in.² (735 cm²).
- Transition:** None (field adaptation required).
- Plaster Ground:** 5/8" (16) deep × 5/8" (16) wide (Std.).
- Closure Device:** Fusible link.
- Fire Closure Temperature:** 165°F (75°C).
- Minimum Size:** 4" × 4" (102 × 102)
- Maximum Size:** Square: 16" × 16" (406 × 406)
Rectangular: 24" (610) W or 20" (508) H
with a maximum area of 256 in.² (1652 cm²).

Options

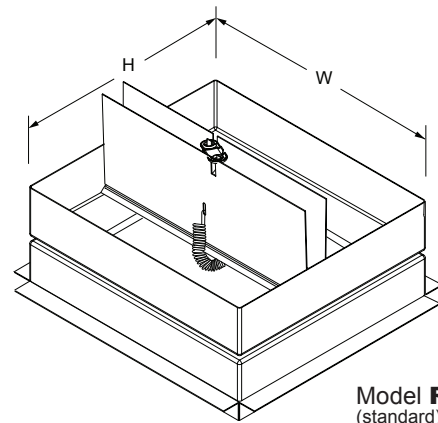
- Alternate Frame Length:
 - 5 1/4" (133) 7" (178) Other _____
- 7/8" (22) wide plaster ground angles (recommended for boot rail installation).
- Alternate Plaster Ground Options:
 - 1 1/4" (32) deep × 1 1/4" (32) wide
 - 2" (51) deep × 5/8" (16) wide 4" (102) deep × 5/8" (16) wide
- Alternate 212°F (100°C) fire closure temperature.
- VC — volume control device factory mounted:
- WHI installation angle set:
 - 2 angles 1" × 1/2" × 28" long (25 × 13 × 711) × 20 ga. (1.0)
 - 2 angles 1" × 1/2" × 3" long (25 × 13 × 76) × 20 ga. (1.0)
- Boot rail installation set:
 - 2 pieces 25" (635) long.

Ratings

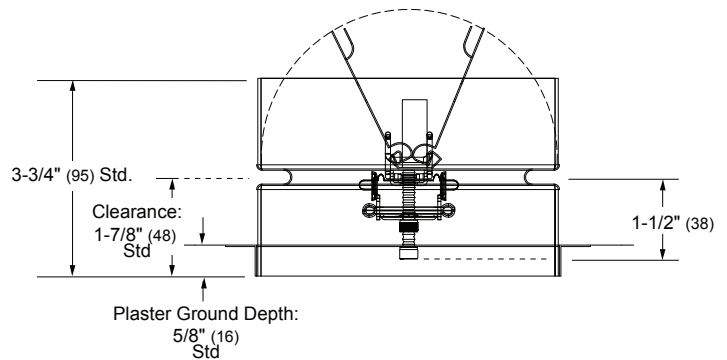
UL 555C Fire Resistance Rating: 1 hour for installation in floor designs L-521, L-528, L-546, L-558, L-562, L-574, L-576, L-581, L-583, L-585 and in roof/ceiling designs P-522, P-533, P-538, P-545 and P-547.

Listings

- UL 555C listing:** R-14980
- CSFM listing:** 3226-1404:100
- Warnock Hersey listing #:** WHI-495-PSH-0177, -0178
- Meets NFPA Standards:** 90A and 101
- Meets Building Code Standards:** IBC, NBC, NFPA, SBC and UBC



Model RD-521-NP
(standard)
*Damper dimensions furnished approximately net O.D.



RD-521-NP with optional VC

Ceiling Radiation Dampers **RD521NP** (1/1) October 2017