

Application

The RD8 ceiling radiation damper employs a folded curtain style blade for point-of-origin control of radiant heat in HVAC systems. The RD8 is installed horizontally in the ceiling membrane of floor-ceiling or roof-ceiling assemblies with fire resistance ratings up to and including 3 hours.

Standard Construction

Frame: 22 gauge (0.85) galvanized steel.

Blades: Folded ceramic curtain.

Fire Closure Device: Fusible link.

Fire Closure Temperature: 165°F (75°C).

Minimum Size: 4" x 4" (102 x 102)

Maximum Size: 24" x 24" (610 x 610)

Options

- Factory installed sleeve.
- Transitions:
 - Round Oval Square/Rectangular
 - Top Bottom
 - Collar depth: 2" (51) Std. 4" (102)
 - Blank-off (top only)
- Plaster Ground 5/8" (16) deep x 5/8" (16) wide Std.
 - 1 1/4" (32) deep x 1 1/4" (32) wide
 - 2" (51) deep x 5/8" (16) wide 4" (102) deep x 5/8" (16) wide
- Flanged (sleeve required): 3/4" (19) Std. 1" (25)
- Alternate 212°F (100°C) fire closure temperature.
- Thermal blanket for steel backed diffuser: CRB-24 (Ceramic refractory blanket).
- WHI installation angle set:
 - 2-20 ga. (1.0) angles 1" x 1/2" x 28" long (25 x 13 x 711)
 - 2-20 ga. (1.0) angles 1" x 1/2" x 3" long (25 x 13 x 76)

Ratings

UL 555C Fire Resistance Rating: 3 hour (horizontal, for use in 1, 2 or 3 hour rated assemblies)

Listings

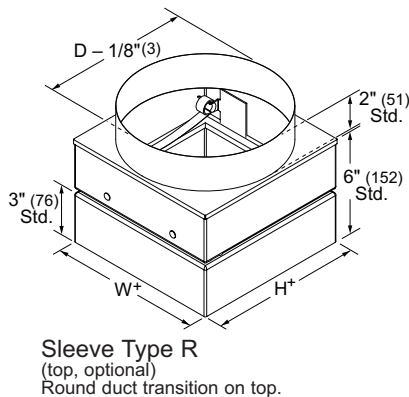
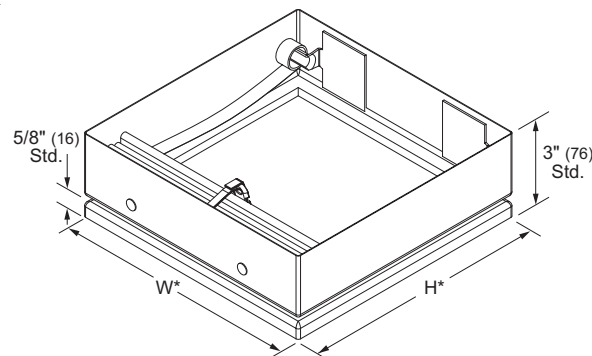
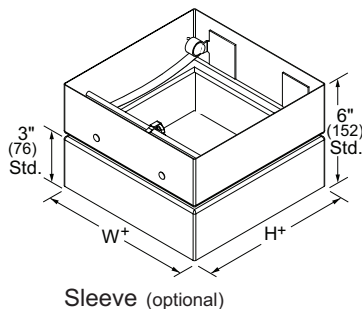
UL 555C listing: R14980

CSFM listing: 3226-1404:100

Warnock Hersey listing #: WHI-495-PSH-0177, -0178

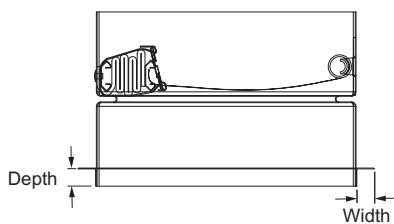
Meets NFPA Standards: 90A and 101

Meets Building Code Standards: IBC, NBC, NFPA, SBC and UBC

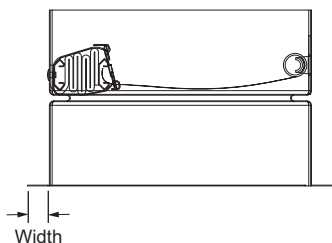


Model RD8 (standard)

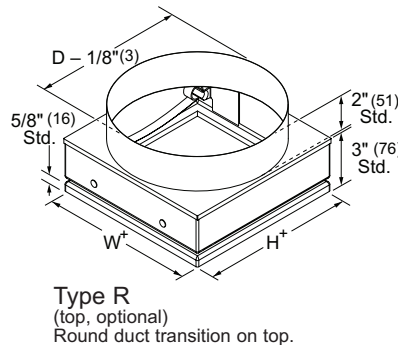
*Damper dimensions furnished approximately 1/4" (6) undersize.



Sleeve (optional)
With standard plaster ground.



Sleeve (optional)
With standard flange.



*Damper dimensions furnished approximately net O.D.

Information is subject to change without notice or obligation.

NOTE: Dimensions in parentheses () are millimeters.