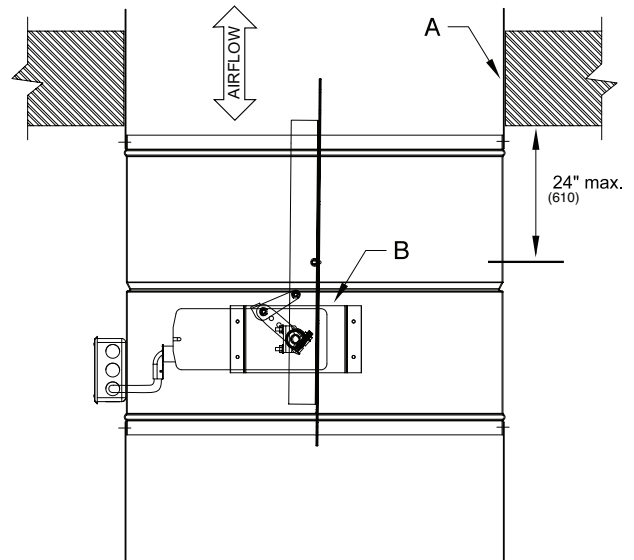


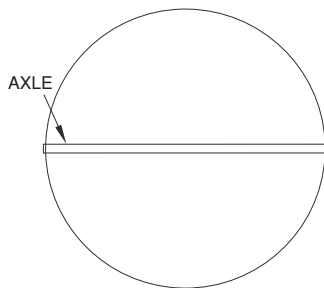
Vertical Mount



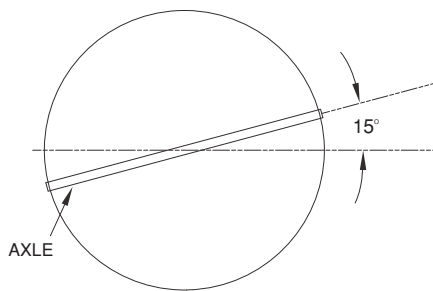
Horizontal Mount

- A. Smoke dampers can be installed vertically or horizontally in accordance with NFPA-90A. Except as restricted by local building codes, the damper must be installed such that the plane of the closed blade is a maximum of 24" (610) from the rated smoke barrier and before any duct inlets or outlets (not including access doors). The smoke damper shall be installed squarely and free from racking. Do not compress or stretch the damper frame.
- B. When attaching the smoke damper to the ductwork, fasteners shall be a minimum of $\frac{3}{16}$ " (4.8) diameter steel rivets, Quick-lock Joints, welds, or No. 10 (M5) bolts or sheet metal screws. The fasteners shall be spaced at 12" (305) o.c. maximum and it is required to have a minimum of two connections per side.
- C. Smoke dampers and qualified operators/actuators are tested together by Underwriters Laboratories and are factory installed to qualify for standard damper/operator warranties. Electric and/or pneumatic actuators shall be connected in accordance with wiring and piping diagrams developed in compliance with applicable codes, ordinances and regulations. Damper actuators shall be tested prior to system start-up to ensure proper operation. Prior to applying power to the actuator, the power requirements must be verified.

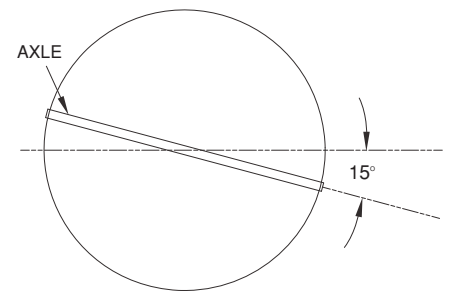
Blade Orientation



Normal



15° Off Horizontal (Maximum)



15° Off Horizontal (Maximum)

Smoke Dampers IISD25R October 2016

Underwriters Laboratories file #R14981

City of New York listing # MEA 295-98-E

The product is also listed by CSFM file # 3230-1404:111 and conforms to NFPA 90A and NFPA 92A.

