

Application and Design

Open or closed end for use with extruded aluminum or formed steel louver models.

Standard Construction

Material: 20 ga. (1.0) thick 5052-H32 aluminum louvers or 20 ga. (1.0) thick galvanized for formed metal louvers.

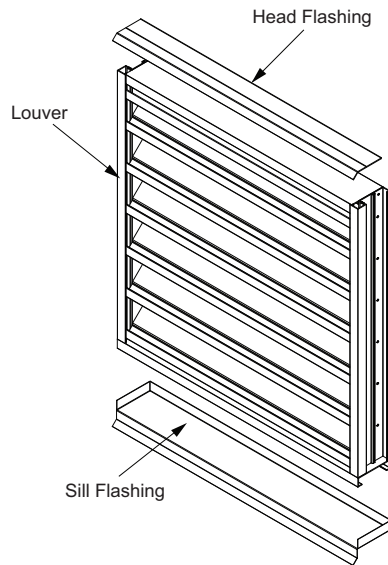
Finish: To match louver finish.

Minimum Size: See appropriate louver minimum.

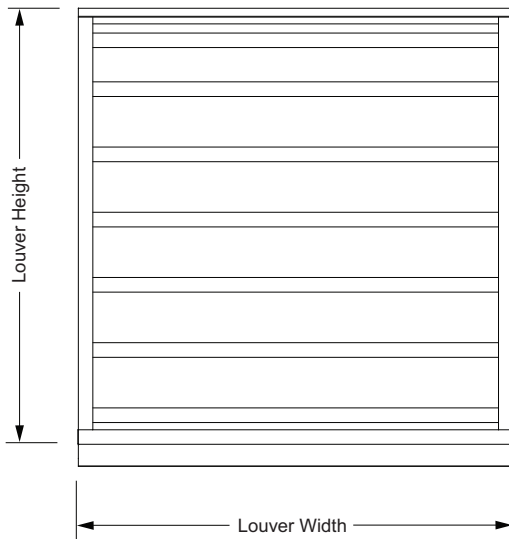
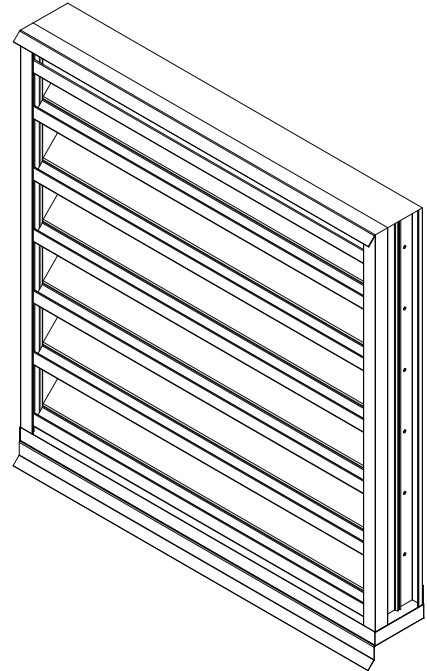
Maximum Size: See appropriate louver maximum.

Typical Details

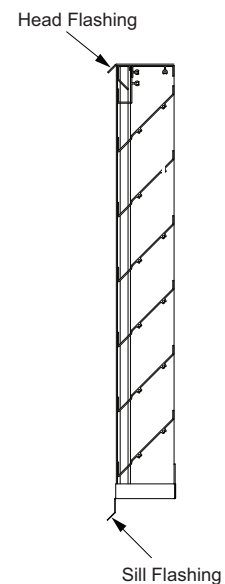
Views show closed end on extruded aluminum louver - formed steel louver similar.



Exploded View
Interior Elevation



Front View



Side View

Sill/Head Flashing IISHF (1/1) July 2017