

Application and Design

Minimum 1/2" (13), maximum 3" (76) width (height) variable flange. Optional no bottom flange for use typically when a bottom sill pan is required. For use with extruded aluminum and formed steel louver models. On extruded aluminum louvers, flanges greater than the standard 1-1/2" (38) are welded onto the louver.*

Standard Construction

Material: 0.081" (2) thick 6063-T5 extruded aluminum for aluminum louvers or 20 ga. (1.0) thick galvanized steel for formed steel louvers.

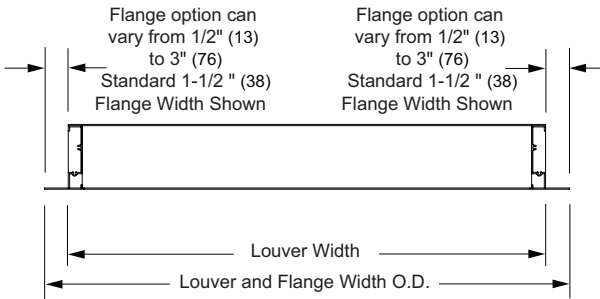
Finish: To match louver finish.

Minimum Size: See appropriate louver minimum.

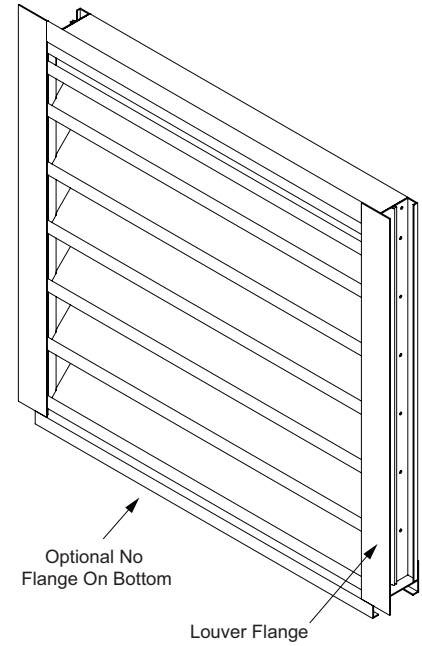
Maximum Size: See appropriate louver maximum.

Typical Details

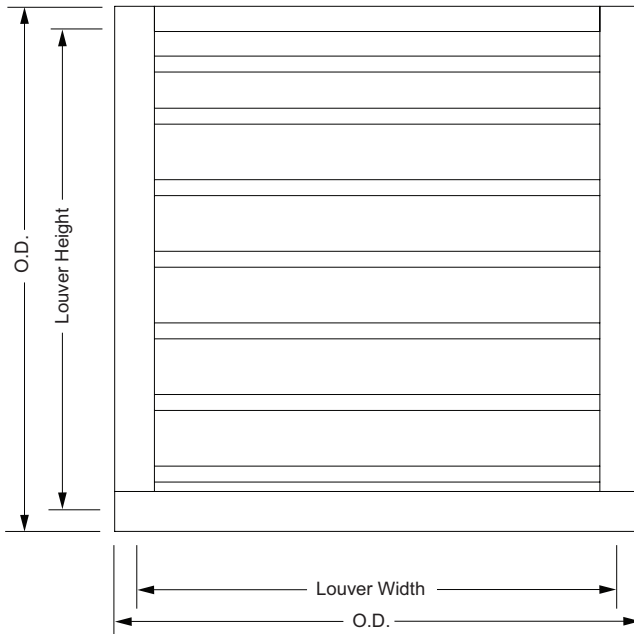
Top, Front, and Side view shown with standard flange on extruded aluminum louvers - formed steel louvers similar.



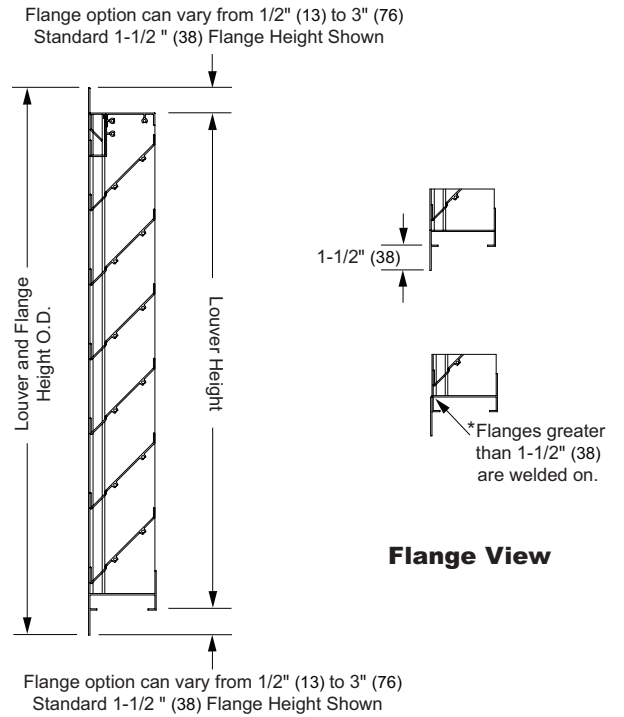
Top View



Variable flange/no bottom flange IIVF (1/1) August 2012



Front View



Side View

Flange View