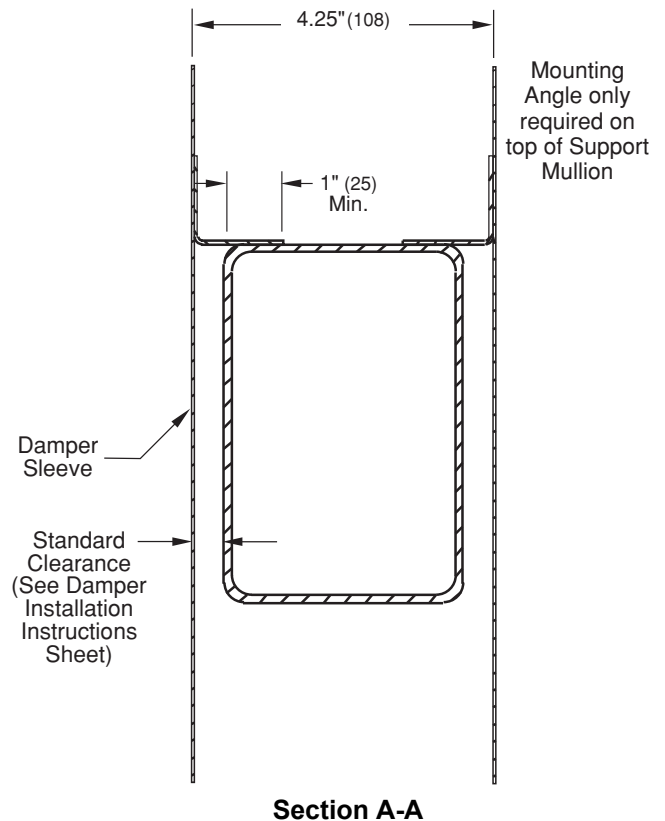
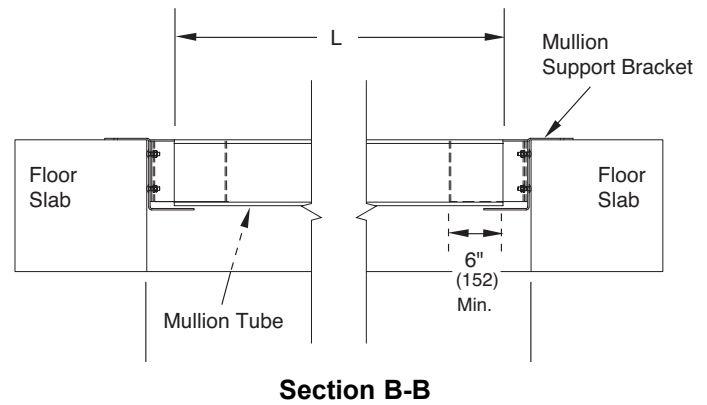
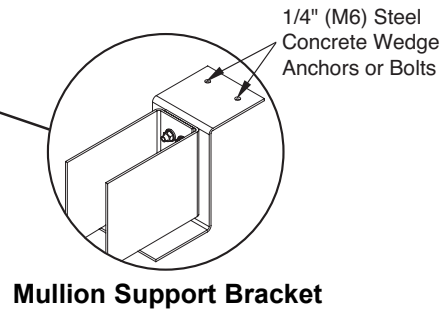
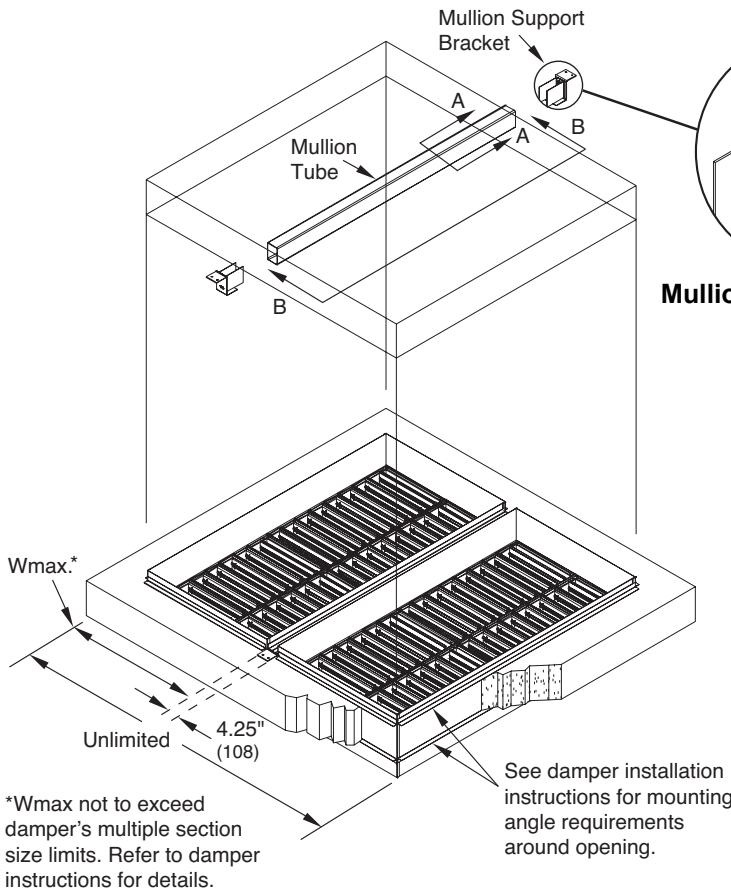




CLASSIFIED SEE DETAILS ON UL CLASSIFIED  
CLASSIFICATION MARKING ON ENCLOSED PRODUCT



### Application

Support mullions allow oversized openings in fire resistant rated floors to be subdivided into smaller openings that do not exceed the fire or fire-smoke damper's maximum rated size limits. Whenever the duct size exceeds the maximum damper width, the opening must be divided into two or more separate openings with a mullion installed between horizontally mounted damper sections.

The support mullion consists of a structural steel tube and two mullion support brackets. Maximum mullion spans must not exceed 96" (3084). The mullions are not intended to be in the airstream and are not part of the duct work.

The horizontal steel mullion is intended for use in fire resistant floors rated to a maximum of 4 hours.

### General Installation

Insert one mullion support bracket into each end of the mullion tube allowing the tube to float between the brackets. DO NOT fasten the brackets to the tube in any way. Locate in the opening to provide correct expansion clearance for the dampers. Refer to Damper Installation Instructions for details.

Drill 5/16" (8) diameter holes in the mullion support brackets for anchoring. Each bracket must be anchored in at least 2 places with minimum 1/4" (6) zinc plated or stainless steel concrete wedge anchors or bolts. (Construction Details figure 2).

Paint or coat structural steel mullion tube in accordance with local code requirements.